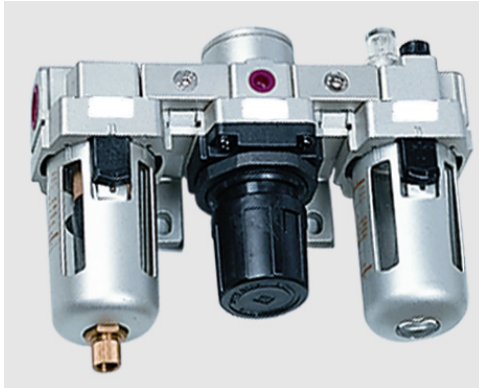


STC Filter-Regulator-Lubricator



Precision Engineered

Fine Quality



Advanced Design



Excellent Prices



Filter-Regulator-Lubricator

B 1



connects fluid power to industrial automation™

Table of Contents

Filter Regulator Lubricator Numbering System.....	B2
A Series Filter Regulator Lubricator List Price.....	B3-4
A Series FRL Accessories List Price.....	B5
AB Series Filter Regulator Lubricator List Price.....	B6
A Series Filter Regulator Lubricator Flow Charts.....	B7-11
A Series Filter Regulator Lubricator Dimensions.....	B12-15
AB Series Filter Regulator Lubricator Flow Charts and Dimensions.....	B16
AB Series Filter Regulator Lubricator Dimensions.....	B16-21
A & AB Series Filter Regulator Lubricator Specifications.....	B22

A Series Filter Regulator Lubricator Numbering System

Ordering Part No. = (eg: AC1000-00-D)	AC	1000	00				
Model	Body Size	Port Size	Standard Features	Options			
AC = Filter-Regulator-Lubricator AF = Filter AL = Lubricator AR = Regulator AW = Stacking Filter-Regulator VHS = Relieving Shut-off /Lockout Valve	1000 2000 3000 4000 5000	00 =10-32 (M5) 01 =1/8 NPT 02 =1/4 NPT 03 =3/8 NPT 04 =1/2 NPT 06 =3/4 NPT 10 =1 NPT	Blank = Following Features: Polycarbonate Bowl (3000-5000 Series with Steel Bowl Shield) 125 PSI Regulating Range Semi-Auto Differential Drain 25 Micron Sintered Brass Filter	D = Automatic Drain M = Metal Bowl (with sight glass) P30 = 30PSI Regulating Range P60 = 60 PSI Regulating Range F5 = 5 Micron PP Filter N= Without B= Bracket G= Pressure Gauge			
AC = Stacking Filter-Regulator-Lubricator	1010 2010 3010 4010 5010						

AB Series Filter Regulator Lubricator Numbering System

Ordering Part No. = (eg: AC2000-M)	AC	2000	FRL	M
Model	Size	Standard Features	Options	
AC = Filter-Regulator-Lubricator AFC = Stacking Filter-Regulator-Lubricator AFR = Stacking Filter-Regulator AF = Filter AL = Lubricator AR = Regulator	1500 = 1/8 NPT 2000 = 1/4 NPT	Blank = Following Features: Polycarbonate Bowl (3000-4000 Series with Steel Bowl Shield) 125 PSI Regulating Range Semi-Auto Differential Drain 5 Micron Filter	M = Metal Bowl P30 = 30PSI Regulating Range P60 = 60 PSI Regulating Range F25 = 25 Micron Sintered Brass Filter N= Without B= Bracket G= Pressure Gauge	
BC = Filter-Regulator-Lubricator BFC = Stacking Filter-Regulator-Lubricator BFR = Stacking Filter-Regulator BF = Filter BL = Lubricator BR = Regulator	3000 = 3/8 NPT 4000 = 1/2 NPT			

A Series Filter Regulator Lubricator List Price











	Part No.	Description (* Includes Bracket & Gauge)	List Price	
 <p style="text-align: center;">Includes Bracket & Gauge</p>	AC1000-M5	M5/10-32 Filter- Regulator- Lubricator* (3 SCFM)	\$46.83*	
	AC2000-01	1/8" NPT Filter- Regulator- Lubricator* (18 SCFM)	\$49.16*	
	AC2000-01D	1/8" NPT Filter- Regulator- Lubricator* with Auto Drain (18 SCFM)	\$65.98*	
	AC2000-01M	1/8" NPT Filter- Regulator- Lubricator* Metal Bowl (18 SCFM)	\$57.96*	
	AC2000-01DM	1/8" NPT Filter- Regulator- Lubricator* with Auto Drain & Metal Bowl (18 SCFM)	\$68.00*	
	AC2000-02	1/4" NPT Filter- Regulator- Lubricator* (18 SCFM)	\$49.16*	
	AC2000-02D	1/4" NPT Filter- Regulator- Lubricator* with Auto Drain (18 SCFM)	\$65.98*	
	AC2000-02M	1/4" NPT Filter- Regulator- Lubricator* Metal Bowl (18 SCFM)	\$57.96*	
	AC2000-02DM	1/4" NPT Filter- Regulator- Lubricator* with Auto Drain & Metal Bowl (18 SCFM)	\$68.00*	
	 <p style="text-align: center;">Includes Bracket & Gauge</p>	AC3000-02	1/4" NPT Filter- Regulator- Lubricator* (70 SCFM)	\$75.60*
AC3000-02D		1/4" NPT Filter- Regulator- Lubricator* with Auto Drain (70 SCFM)	\$97.59*	
AC3000-02M		1/4" NPT Filter- Regulator- Lubricator* with Metal Bowl (70 SCFM)	\$88.79*	
AC3000-02DM		1/4" NPT Filter- Regulator- Lubricator* with Auto Drain & Metal Bowl (70 SCFM)	\$110.79*	
AC3000-03		3/8" NPT Filter- Regulator- Lubricator* (70 SCFM)	\$75.60*	
AC3000-03D		3/8" NPT Filter- Regulator- Lubricator* with Auto Drain (70 SCFM)	\$97.59*	
AC3000-03M		3/8" NPT Filter- Regulator- Lubricator* with Metal Bowl (70 SCFM)	\$88.79*	
AC3000-03DM		3/8" NPT Filter- Regulator- Lubricator* with Auto Drain & Metal Bowl (70 SCFM)	\$110.79*	
AC4000-03		3/8" NPT Filter- Regulator- Lubricator* (140 SCFM)	\$101.97*	
AC4000-03D		3/8" NPT Filter- Regulator- Lubricator* with Auto Drain (140 SCFM)	\$129.38*	
AC4000-03M		3/8" NPT Filter- Regulator- Lubricator* with Metal Bowl (140 SCFM)	\$128.37*	
AC4000-03DM		3/8" NPT Filter- Regulator- Lubricator* with Auto Drain & Metal Bowl (140 SCFM)	\$143.77*	
AC4000-04		1/2" NPT Filter- Regulator- Lubricator* (140 SCFM)	\$101.97*	
AC4000-04D		1/2" NPT Filter- Regulator- Lubricator* with Auto Drain (140 SCFM)	\$129.38*	
AC4000-04M		1/2" NPT Filter- Regulator- Lubricator* with Metal Bowl (140 SCFM)	\$128.37*	
AC4000-04DM		1/2" NPT Filter- Regulator- Lubricator* with Auto Drain & Metal Bowl (140 SCFM)	\$143.77*	
AC4000-06		3/4" NPT Filter- Regulator- Lubricator* (160 SCFM)	\$111.53*	
AC4000-06D		3/4" NPT Filter- Regulator- Lubricator* with Auto Drain (160 SCFM)	\$138.94*	
AC4000-06M	3/4" NPT Filter- Regulator- Lubricator* with Metal Bowl (160 SCFM)	\$137.93*		
AC4000-06DM	3/4" NPT Filter- Regulator- Lubricator* with Auto Drain & Metal Bowl (160 SCFM)	\$153.33*		
 <p style="text-align: center;">Includes Bracket & Gauge</p>	AC5000-10	1" NPT Filter- Regulator- Lubricator* (180 SCFM)	\$140.58*	
	AC5000-10D	1" NPT Filter- Regulator- Lubricator* with Auto Drain (180 SCFM)	\$176.87*	
	AC5000-10M	1" NPT Filter- Regulator- Lubricator* with Metal Bowl (180 SCFM)	\$166.98*	
	AC5000-10DM	1" NPT Filter- Regulator- Lubricator* with Auto Drain & Metal Bowl (180 SCFM)	\$182.38*	
	 <p style="text-align: center;">Includes Bracket & Gauge</p>	AC1010-M5	M5/10-32 Stacking Filter- Regulator- Lubricator* (3 SCFM)	\$41.88*
		AC2010-01	1/8" NPT Stacking Filter- Regulator- Lubricator* (18 SCFM)	\$44.55*
		AC2010-01D	1/8" NPT Stacking Filter- Regulator- Lubricator* with Auto Drain (18 SCFM)	\$61.41*
		AC2010-01M	1/8" NPT Stacking Filter- Regulator- Lubricator* with Metal Bowl (18 SCFM)	\$53.35*
		AC2010-01DM	1/8" NPT Stacking Filter- Regulator- Lubricator* with Auto Drain & Metal Bowl (18 SCFM)	\$68.00*
		AC2010-02	1/4" NPT Stacking Filter- Regulator- Lubricator* (18 SCFM)	\$44.55*
AC2010-02D		1/4" NPT Stacking Filter- Regulator- Lubricator* with Auto Drain (18 SCFM)	\$61.41*	
AC2010-02M		1/4" NPT Stacking Filter- Regulator- Lubricator* with Metal Bowl (18 SCFM)	\$53.35*	
AC2010-02DM		1/4" NPT Stacking Filter- Regulator- Lubricator* with Auto Drain & Metal Bowl (18 SCFM)	\$68.00*	
AC3010-02		1/4" NPT Stacking Filter- Regulator- Lubricator* (60 SCFM)	\$62.37*	
AC3010-02D	1/4" NPT Stacking Filter- Regulator- Lubricator* with Auto Drain (60 SCFM)	\$84.37*		
AC3010-02M	1/4" NPT Stacking Filter- Regulator- Lubricator* with Metal Bowl (60 SCFM)	\$75.57*		
AC3010-02DM	1/4" NPT Stacking Filter- Regulator- Lubricator* with Auto Drain & Metal Bowl (60 SCFM)	\$88.77*		
AC3010-03	3/8" NPT Stacking Filter- Regulator- Lubricator* (60 SCFM)	\$62.37*		
AC3010-03D	3/8" NPT Stacking Filter- Regulator- Lubricator* with Auto Drain (60 SCFM)	\$84.37*		
AC3010-03M	3/8" NPT Stacking Filter- Regulator- Lubricator* with Metal Bowl (60 SCFM)	\$75.57*		
AC3010-03DM	3/8" NPT Stacking Filter- Regulator- Lubricator* with Auto Drain & Metal Bowl (60 SCFM)	\$88.77*		
AC4010-03	3/8" NPT Stacking Filter- Regulator- Lubricator* (105 SCFM)	\$90.09*		
AC4010-03D	3/8" NPT Stacking Filter- Regulator- Lubricator* with Auto Drain (105 SCFM)	\$117.50*		
AC4010-03M	3/8" NPT Stacking Filter- Regulator- Lubricator* with Metal Bowl (105 SCFM)	\$116.49*		
AC4010-03DM	3/8" NPT Stacking Filter- Regulator- Lubricator* with Auto Drain & Metal Bowl (105 SCFM)	\$131.89*		
AC4010-04	1/2" NPT Stacking Filter- Regulator- Lubricator* (105 SCFM)	\$90.09*		
AC4010-04D	1/2" NPT Stacking Filter- Regulator- Lubricator* with Auto Drain (105 SCFM)	\$117.50*		
AC4010-04M	1/2" NPT Stacking Filter- Regulator- Lubricator* with Metal Bowl (105 SCFM)	\$116.49*		
AC4010-04DM	1/2" NPT Stacking Filter- Regulator- Lubricator* with Auto Drain & Metal Bowl (105 SCFM)	\$131.89*		
AC4010-06	3/4" NPT Stacking Filter- Regulator- Lubricator* (105 SCFM)	\$102.96*		
AC4010-06D	3/4" NPT Stacking Filter- Regulator- Lubricator* with Auto Drain (105 SCFM)	\$130.37*		
AC4010-06M	3/4" NPT Stacking Filter- Regulator- Lubricator* with Metal Bowl (105 SCFM)	\$129.36*		
AC4010-06DM	3/4" NPT Stacking Filter- Regulator- Lubricator* with Auto Drain & Metal Bowl (105 SCFM)	\$144.76*		
AC5010-10	1" NPT Stacking Filter- Regulator- Lubricator* (140 SCFM)	\$128.70*		
AC5010-10D	1" NPT Stacking Filter- Regulator- Lubricator* with Auto Drain (140 SCFM)	\$156.11*		
AC5010-10M	1" NPT Stacking Filter- Regulator- Lubricator* with Metal Bowl (140 SCFM)	\$155.10*		
AC5010-10DM	1" NPT Stacking Filter- Regulator- Lubricator* with Auto Drain & Metal Bowl (140 SCFM)	\$170.50*		
 <p style="text-align: center;">Includes Bracket & Gauge</p>	AR1000-M5	M5/10-32 Regulator* (4 SCFM)	\$19.76*	
	AR2000-01	1/8" NPT Regulator* (19 SCFM)	\$20.45*	
	AR2000-02	1/4" NPT Regulator* (19 SCFM)	\$20.45*	
	AR2500-02	1/4" NPT Regulator* (50 SCFM)	\$29.21*	
	AR3000-02	1/4" NPT Regulator* (88 SCFM)	\$31.68*	
	AR3000-03	3/8" NPT Regulator* (88 SCFM)	\$31.68*	
	AR4000-03	3/8" NPT Regulator* (210 SCFM)	\$42.23*	
	AR4000-04	1/2" NPT Regulator* (210 SCFM)	\$42.23*	
	AR4000-06	3/4" NPT Regulator* (210 SCFM)	\$48.84*	
	AR5000-10	1" NPT Regulator* (280 SCFM)	\$52.82*	



A Series Filter Regulator Lubricator List Price

	Part No.	Description (* Includes Bracket & Gauge)	List Price
	AF1000-M5	M5 Filter (4 SCFM)	\$11.88
	AF2000-01	1/8" NPT Filter (26 SCFM)	\$12.23
	AF2000-01D	1/8" NPT Filter with Auto Drain (26 SCFM)	\$29.10
	AF2000-01M	1/8" NPT Filter with Metal Bowl (26 SCFM)	\$18.21
	AF2000-01DM	1/8" NPT Filter with Auto Drain & Metal Bowl (26 SCFM)	\$30.69
	AF2000-02	1/4" NPT Filter (26 SCFM)	\$12.23
	AF2000-02D	1/4" NPT Filter with Auto Drain (26 SCFM)	\$29.10
	AF2000-02M	1/4" NPT Filter with Metal Bowl (26 SCFM)	\$18.21
	AF2000-02DM	1/4" NPT Filter Auto Drain & Metal Bowl (26 SCFM)	\$30.69
	 <p style="font-size: small;">With Metal Bowl</p>  <p style="font-size: small;">Polycarbonate Bowl with Metal Shield</p>	AF3000-02	1/4" NPT Filter (70 SCFM)
AF3000-02D		1/4" NPT Filter with Auto Drain (70 SCFM)	\$40.48
AF3000-02M		1/4" NPT Filter with Metal Bowl (70 SCFM)	\$25.07
AF3000-02DM		1/4" NPT Filter Auto Drain & Metal Bowl (70 SCFM)	\$44.00
AF3000-03		3/8" NPT Filter (70 SCFM)	\$18.47
AF3000-03D		3/8" NPT Filter with Auto Drain (70 SCFM)	\$40.48
AF3000-03M		3/8" NPT Filter with Metal Bowl (70 SCFM)	\$25.07
AF3000-03DM		3/8" NPT Filter Auto Drain & Metal Bowl (70 SCFM)	\$44.00
AF4000-03		3/8" NPT Filter (140 SCFM)	\$25.74
AF4000-03D		3/8" NPT Filter with Auto Drain (140 SCFM)	\$47.74
AF4000-03M		3/8" NPT Filter with Metal Bowl (140 SCFM)	\$32.34
AF4000-03DM		3/8" NPT Filter Auto Drain & Metal Bowl (140 SCFM)	\$54.34
AF4000-04		1/2" NPT Filter (140 SCFM)	\$25.74
AF4000-04D		1/2" NPT Filter with Auto Drain (140 SCFM)	\$47.74
AF4000-04M		1/2" NPT Filter with Metal Bowl (140 SCFM)	\$32.34
AF4000-04DM		1/2" NPT Filter Auto Drain & Metal Bowl (140 SCFM)	\$54.34
AF4000-06		3/4" NPT Filter (210 SCFM)	\$28.71
AF4000-06D		3/4" NPT Filter with Auto Drain (210 SCFM)	\$56.12
AF4000-06M		3/4" NPT Filter with Metal Bowl (210 SCFM)	\$35.31
AF4000-06DM		3/4" NPT Filter Auto Drain & Metal Bowl (210 SCFM)	\$57.31
AF5000-10	1" NPT Filter (245 SCFM)	\$38.27	
AF5000-10D	1" NPT Filter with Auto Drain (245 SCFM)	\$65.73	
AF5000-10M	1" NPT Filter with Metal Bowl (245 SCFM)	\$44.87	
AF5000-10DM	1" NPT Filter with Auto Drain & Metal Bowl (245 SCFM)	\$66.87	
	AL1000-M5	M5 Lubricator (3 SCFM)	\$11.88
	AL2000-01	1/8" NPT Lubricator (28 SCFM)	\$12.23
	AL2000-01M	1/8" NPT Lubricator with Metal Bowl (28 SCFM)	\$16.63
	AL2000-02	1/4" NPT Lubricator (28 SCFM)	\$12.23
	AL2000-02M	1/4" NPT Lubricator with Metal Bowl (28 SCFM)	\$16.63
	AL3000-02	1/4" NPT Lubricator (60 SCFM)	\$18.47
	AL3000-02M	1/4" NPT Lubricator with Metal Bowl (60 SCFM)	\$25.07
	AL3000-03	3/8" NPT Lubricator (60 SCFM)	\$18.47
	AL3000-03M	3/8" NPT Lubricator with Metal Bowl (60 SCFM)	\$25.07
	AL4000-03	3/8" NPT Lubricator (180 SCFM)	\$25.74
AL4000-03M	3/8" NPT Lubricator with Metal Bowl (180 SCFM)	\$38.94	
AL4000-04	1/2" NPT Lubricator (180 SCFM)	\$25.74	
AL4000-04M	1/2" NPT Lubricator with Metal Bowl (180 SCFM)	\$38.94	
AL4000-06	3/4" NPT Lubricator (220 SCFM)	\$28.71	
AL4000-06M	3/4" NPT Lubricator with Metal Bowl (220 SCFM)	\$41.91	
AL5000-10	1" NPT Lubricator (245 SCFM)	\$40.59	
AL5000-10M	1" NPT Lubricator with Metal Bowl (245 SCFM)	\$53.79	
 <p style="font-size: small;">Includes Bracket & Gauge</p>  <p style="font-size: small;">Includes Bracket & Gauge</p>	AW1000-M5	M5 Filter- Regulator* (3 SCFM)	\$29.30*
	AW2000-01	1/8" NPT Filter- Regulator* (19 SCFM)	\$29.36*
	AW2000-01D	1/8" NPT Filter- Regulator* with Auto Drain (19 SCFM)	\$44.76*
	AW2000-01M	1/8" NPT Filter- Regulator* with Metal Bowl (19 SCFM)	\$33.76*
	AW2000-01DM	1/8" NPT Filter- Regulator* Auto Drain & Metal Bowl (19 SCFM)	\$49.16*
	AW2000-02	1/4" NPT Filter- Regulator* (19 SCFM)	\$29.36*
	AW2000-02D	1/4" NPT Filter- Regulator* with Auto Drain (19 SCFM)	\$44.76*
	AW2000-02M	1/4" NPT Filter- Regulator* with Metal Bowl (19 SCFM)	\$33.76*
	AW2000-02DM	1/4" NPT Filter- Regulator* Auto Drain & Metal Bowl (19 SCFM)	\$49.16*
	AW3000-02	1/4" NPT Filter- Regulator* (70 SCFM)	\$39.6*
	AW3000-02D	1/4" NPT Filter- Regulator* with Auto Drain (70 SCFM)	\$61.60*
	AW3000-02M	1/4" NPT Filter- Regulator* with Metal Bowl (70 SCFM)	\$46.20*
	AW3000-02DM	1/4" NPT Filter- Regulator* Auto Drain & Metal Bowl (70 SCFM)	\$68.20*
	AW3000-03	3/8" NPT Filter- Regulator* (70 SCFM)	\$39.6*
	AW3000-03D	3/8" NPT Filter- Regulator* with Auto Drain (70 SCFM)	\$61.60*
	AW3000-03M	3/8" NPT Filter- Regulator* with Metal Bowl (70 SCFM)	\$46.20*
	AW3000-03DM	3/8" NPT Filter- Regulator* Auto Drain & Metal Bowl (70 SCFM)	\$68.20*
	AW4000-03	3/8" NPT Filter- Regulator* (140 SCFM)	\$59.40*
	AW4000-03D	3/8" NPT Filter- Regulator* with Auto Drain (140 SCFM)	\$86.81*
	AW4000-03M	3/8" NPT Filter- Regulator* with Metal Bowl (140 SCFM)	\$72.60*
AW4000-03DM	3/8" NPT Filter- Regulator* Auto Drain & Metal Bowl (140 SCFM)	\$100.00*	
AW4000-04	1/2" NPT Filter- Regulator* (140 SCFM)	\$59.40*	
AW4000-04D	1/2" NPT Filter- Regulator* with Auto Drain (140 SCFM)	\$86.81*	
AW4000-04M	1/2" NPT Filter- Regulator* with Metal Bowl (140 SCFM)	\$72.60*	
AW4000-04DM	1/2" NPT Filter- Regulator* Auto Drain & Metal Bowl (140 SCFM)	\$100.00*	
AW4000-06	3/4" NPT Filter- Regulator* (160 SCFM)	\$69.30*	
AW4000-06D	3/4" NPT Filter- Regulator* with Auto Drain (160 SCFM)	\$96.71*	
AW4000-06M	3/4" NPT Filter- Regulator* with Metal Bowl (160 SCFM)	\$82.50*	
AW4000-06DM	3/4" NPT Filter- Regulator* Auto Drain & Metal Bowl (160 SCFM)	\$109.91*	
AW5000-10	1" NPT Filter- Regulator* (195 SCFM)	\$82.52*	
AW5000-10D	1" NPT Filter- Regulator* with Auto Drain (195 SCFM)	\$109.93*	
AW5000-10M	1" NPT Filter- Regulator* with Metal Bowl (195 SCFM)	\$95.72*	
AW5000-10DM	1" NPT Filter- Regulator* Auto Drain & Metal Bowl (195 SCFM)	\$123.13*	

A Series FRL Mounting Hardware List Price

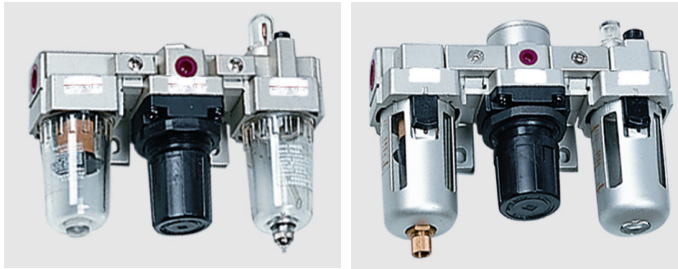
	Part No.	Description	List Price
	Y20	Spacer for AC2000	\$3.84
	Y30	Spacer for AC3000	\$6.39
	Y40	Spacer for AC4000-04	\$7.67
	Y50	Spacer for AC4000-06	\$7.67
	Y60	Spacer for AC5000	\$7.99
	Y20L	L-Type Spacer Bracket for AC2000	\$3.84
	Y30L	L-Type Spacer Bracket for AC3000	\$6.39
	Y40L	L-Type Spacer Bracket for AC4000-04	\$7.67
	Y50L	L-Type Spacer Bracket for AC4000-06	\$7.67
	Y60L	L-Type Spacer Bracket for AC5000	\$7.99
	Y20T	T-Type Spacer Bracket for AC2010	\$4.48
	Y30T	T-Type Spacer Bracket for AC3010	\$7.03
	Y40T	T-Type Spacer Bracket for AC4010-04	\$8.31
	Y50T	T-Type Spacer Bracket for AC4010-06	\$8.95
	Y60T	T-Type Spacer Bracket for AC5010	\$10.23
	Y21-N01	T-Type Spacer with 1/8 NPT Port for AC2000	\$6.39
	Y21-N02	T-Type Spacer with 1/4 NPT Port for AC2000	\$6.39
	Y31-N01	T-Type Spacer with 1/8 NPT Port for AC3000	\$9.59
	Y31-N02	T-Type Spacer with 1/4 NPT Port for AC3000	\$9.59
	Y41-N02	T-Type Spacer with 1/4 NPT Port for AC4000	\$11.51
	Y41-N03	T-Type Spacer with 3/8 NPT Port for AC4000	\$11.51
	Y61-N03	T-Type Spacer with 3/8 NPT Port for AC5000	\$15.98
Y61-N04	T-Type Spacer with 1/2 NPT Port for AC5000	\$15.98	
	B110L	L-Bracket for AC1000	\$3.30
	B210L	L-Bracket for AC2000	\$3.85
	B310L	L-Bracket for AC3000	\$4.40
	B410L	L-Bracket for AC4000	\$4.95
	B510L	L-Bracket for AC4000-06	\$6.05
	B110T	T-Bracket for AC1010	\$3.85
	B210T	T-Bracket for AC2010	\$4.40
	B310T	T-Bracket for AC3010	\$4.95
	B410T	T-Bracket for AC4010	\$5.50
	B510T	L-Bracket for AC4010-06	\$6.60
	B120	Bracket for AR/AW1000	\$1.91
	B220	Bracket for AR/AW2000	\$1.91
	B320	Bracket for AR/AW3000	\$2.55
	B420	Bracket for AR/AW4000-5000	\$3.20
	B240	Bracket for AF/AL2000	\$1.91
	B340	Bracket for AF/AL3000	\$2.55
	B440	Bracket for AF/AL4000-04	\$3.20
	B540	Bracket for AF/AL4000-06	\$3.84
	B640	Bracket for AF/AL5000	\$5.12
	GE-1-160-00	1" Dia. 1/16" R 0-160 PSI back mount pressure gauge	\$6.16
	GE-1 1/2-30-01	1 1/2" Dia. 1/8" NPT 0-30 PSI back mount pressure gauge	\$6.16
	GE-1 1/2-60-01	1 1/2" Dia. 1/8" NPT 0-60 PSI back mount pressure gauge	\$6.16
	GE-1 1/2-160-01	1 1/2" Dia. 1/8" NPT 0-160 PSI back mount pressure gauge	\$6.16
	GP-1 1/2-160-01	1 1/2" Dia. 1/8" NPT 0-160 PSI panel mount pressure gauge	\$7.16
	GE-2-30-02	2" Dia. 1/4" NPT 0-30 PSI back mount pressure gauge	\$6.60
	GE-2-60-02	2" Dia. 1/4" NPT 0-60 PSI back mount pressure gauge	\$6.60
	GE-2-160-02	2" Dia. 1/4" NPT 0-160 PSI back mount pressure gauge	\$6.60
	GP-2-160-02	2" Dia. 1/4" NPT 0-160 PSI panel mount pressure gauge	\$7.60
	GA-1 1/2-60-01	1.5" Dia. 1/8" NPT 0-60 PSI SS housing back mount glycerin filled	\$10.56
GA-1 1/2-160-01	1.5" Dia. 1/8" NPT 0-160 PSI SS housing back mount glycerin filled	\$10.56	
	VHS 2000-01	1/8" NPT Relieving Shut-off /Lockout Valve for 2000-01 Series FRL	\$22.26
	VHS 2000-02	1/4" NPT Relieving Shut-off /Lockout Valve for 2000-02 Series FRL	\$22.26
	VHS 3000-02	1/4" NPT Relieving Shut-off /Lockout Valve for 3000-02 Series FRL	\$28.36
	VHS 3000-03	3/8" NPT Relieving Shut-off /Lockout Valve for 3000-03 Series FRL	\$28.36
	VHS 4000-03	3/8" NPT Relieving Shut-off /Lockout Valve for 4000-03 Series FRL	\$42.26
	VHS 4000-04	1/2" NPT Relieving Shut-off /Lockout Valve for 4000-04 Series FRL	\$42.26
	VHS 4000-06	1/2" NPT Relieving Shut-off /Lockout Valve for 4000-06 Series FRL	\$52.26
VHS 5000-10	1/2" NPT Relieving Shut-off /Lockout Valve for 5000 Series FRL	\$52.26	

AB Series Filter Regulator Lubricator List Price

AB Series		Part No.	Description (* Includes Bracket & Gauge)	List Price
		AC1500	1/8" NPT Filter- Regulator- Lubricator* (16 SCFM)	\$38.61*
		AC2000	1/4" NPT Filter- Regulator- Lubricator* (16 SCFM)	\$38.61*
		BC2000	1/4" NPT Filter- Regulator- Lubricator* (60 SCFM)	\$65.34*
		BC3000	3/8" NPT Filter- Regulator- Lubricator* (60 SCFM)	\$65.34*
		BC4000	1/2" NPT Filter- Regulator- Lubricator* (60 SCFM)	\$65.34*
		AFC1500	1/8" NPT Stacking Filter- Regulator- Lubricator* (16 SCFM)	\$33.17*
		AFC2000	1/4" NPT Stacking Filter- Regulator- Lubricator* (16 SCFM)	\$33.17*
		BFC2000	1/4" NPT Stacking Filter- Regulator- Lubricator* (60 SCFM)	\$59.90*
		BFC3000	3/8" NPT Stacking Filter- Regulator- Lubricator* (60 SCFM)	\$59.90*
		BFC4000	1/2" NPT Stacking Filter- Regulator- Lubricator* (60 SCFM)	\$59.90*
		AFR1500	1/8" NPT Stacking Filter- Regulator* (16 SCFM)	\$22.77*
		AFR2000	1/4" NPT Stacking Filter- Regulator* (16 SCFM)	\$22.77*
		BFR2000	1/4" NPT Stacking Filter- Regulator* (60 SCFM)	\$34.16*
		BFR3000	3/8" NPT Stacking Filter- Regulator* (60 SCFM)	\$34.16*
		BFR4000	1/2" NPT Stacking Filter- Regulator* (60 SCFM)	\$34.16*
		AF1500	1/8" NPT Filter (16 SCFM)	\$10.89
		AF2000	1/4" NPT Filter (16 SCFM)	\$10.89
		BF2000	1/4" NPT Filter (60 SCFM)	\$23.27
		BF3000	3/8" NPT Filter (60 SCFM)	\$23.27
		BF4000	1/2" NPT Filter (60 SCFM)	\$23.27
		AL1500	1/8" NPT Lubricator (16 SCFM)	\$11.39
		AL2000	1/4" NPT Lubricator (16 SCFM)	\$11.39
		BL2000	1/4" NPT Lubricator (60 SCFM)	\$24.26
		BL3000	3/8" NPT Lubricator (60 SCFM)	\$24.26
		BL4000	1/2" NPT Lubricator (60 SCFM)	\$24.26
		AR1500	1/8" Regulator* (16 SCFM)	\$18.81*
		AR2000	1/4" Regulator* (16 SCFM)	\$18.81*
		BR2000	1/4" Regulator* (60 SCFM)	\$22.77*
		BR3000	3/8" Regulator* (60 SCFM)	\$22.77*
		BR4000	1/2" Regulator* (60 SCFM)	\$22.77*

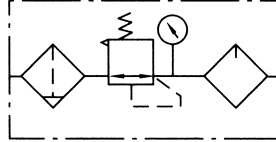


A Series Filter Regulator Lubricator Flow Charts

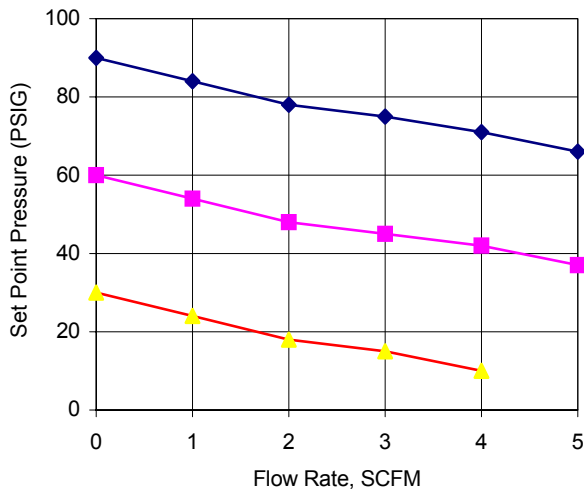


Filter Regulator Lubricator Selection:

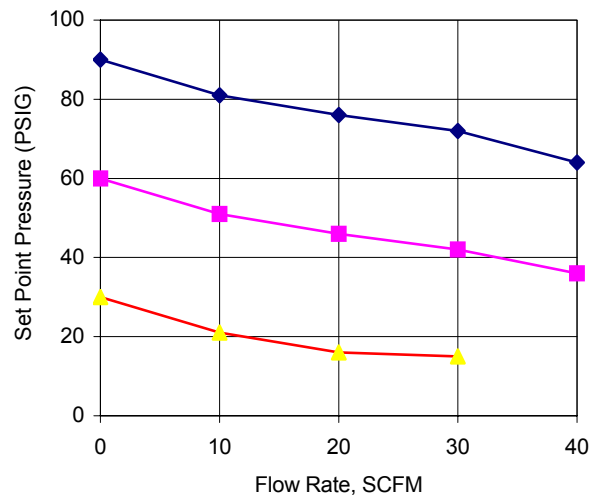
1. Determine flow rate requirements.
2. Determine required set point pressure and allowable pressure drop.
3. Locate the FRL graph with set point pressure that provides the flow rate with acceptable pressure drop.



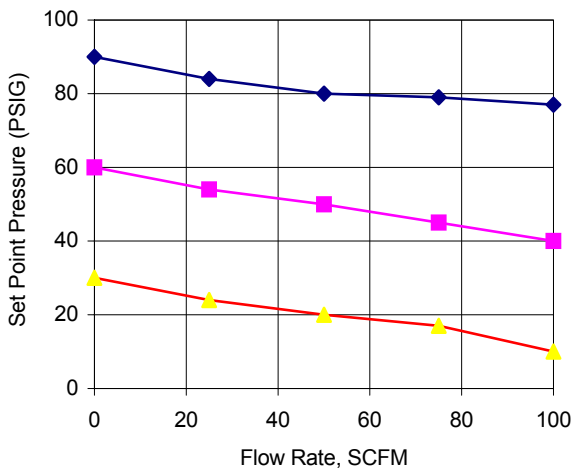
AC1000 Series Filter Regulator Lubricator
Flow Rate VS Set Point Pressure
Supply Pressure 100 PSI



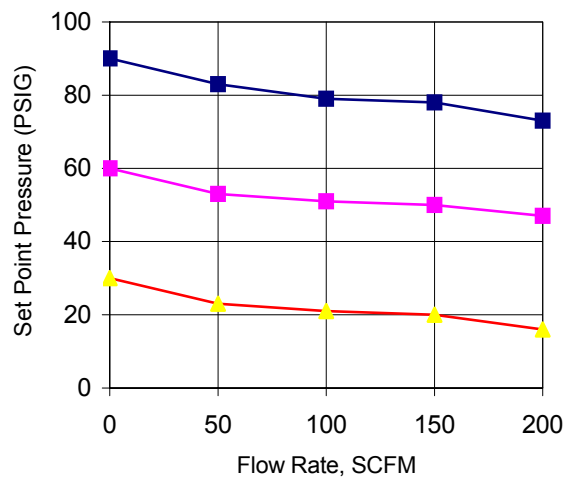
AC2000 Series Filter Regulator Lubricator
Flow Rate VS Set Point Pressure
Supply Pressure 100 PSI



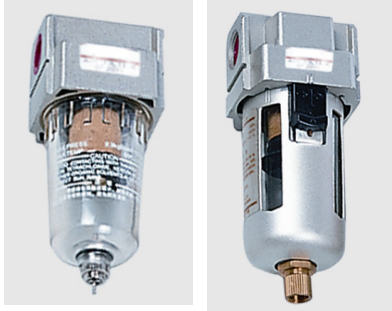
AC3000 Series Filter Regulator Lubricator
Flow Rate VS Set Point Pressure
Supply Pressure 100 PSI



AC4000 Series Filter Regulator Lubricator
Flow Rate VS Set Point Pressure
Supply Pressure 100 PSI

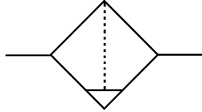


A Series Filter Flow Charts

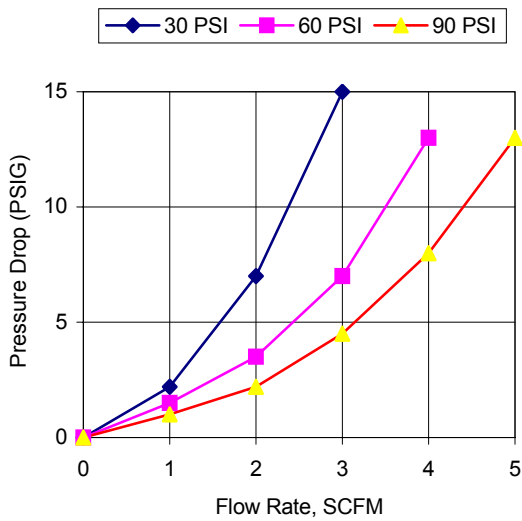


Filter Selection:

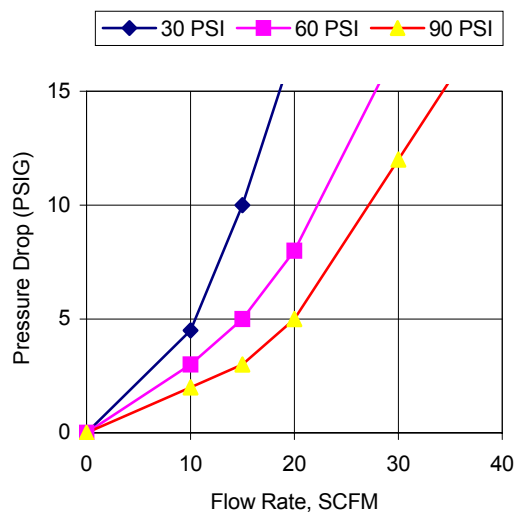
1. Determine flow rate requirements.
2. Determine required set point pressure and allowable pressure drop.
3. Locate the FRL graph with set point pressure that provides the flow rate with acceptable pressure drop.



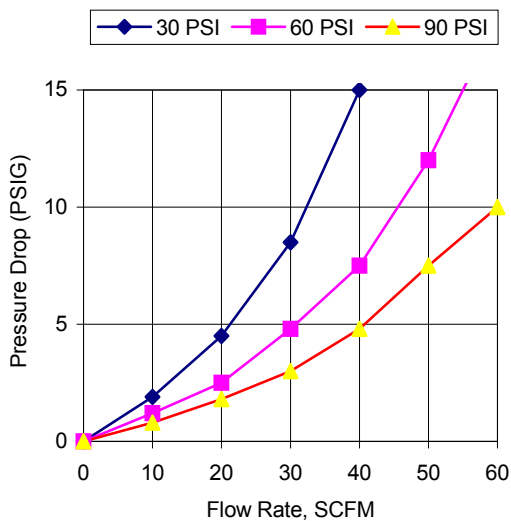
AF1000 Series Filter
Flow Rate VS Pressure Drop
@ 30, 60, 90 PSI Supply Pressure



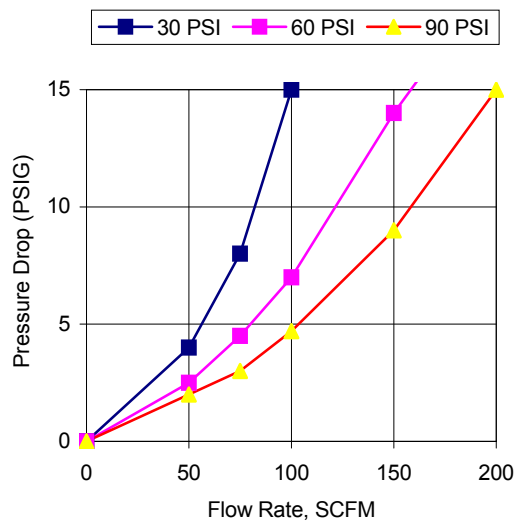
AF2000 Series Filter
Flow Rate VS Pressure Drop
@ 30, 60, 90 PSI Supply Pressure



AF3000 Series Filter
Flow Rate VS Pressure Drop
@ 30, 60, 90 PSI Supply Pressure



AF4000 Series Filter
Flow Rate VS Pressure Drop
@ 30, 60, 90 PSI Supply Pressure

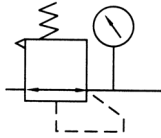


A Series Regulator Flow Charts

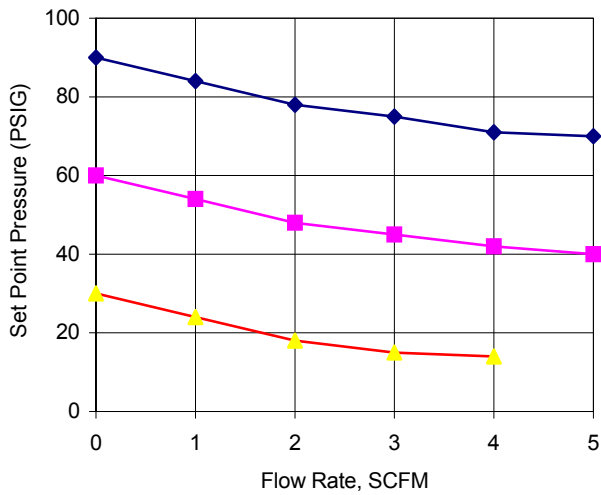


Regulator Selection:

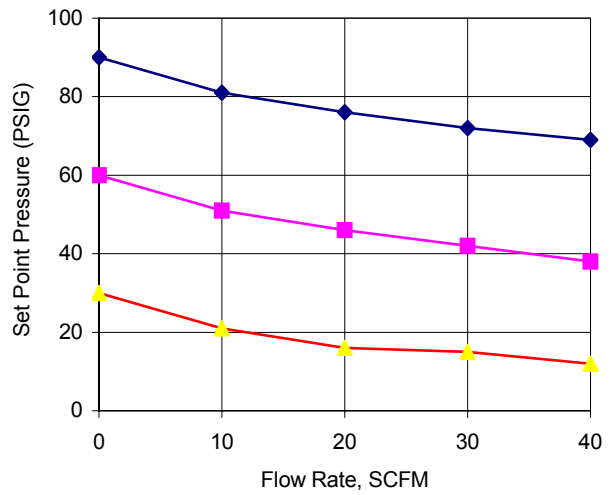
1. Determine flow rate requirements.
2. Determine required set point pressure and allowable pressure drop.
3. Locate the FRL graph with set point pressure that provides the flow rate with acceptable pressure drop.



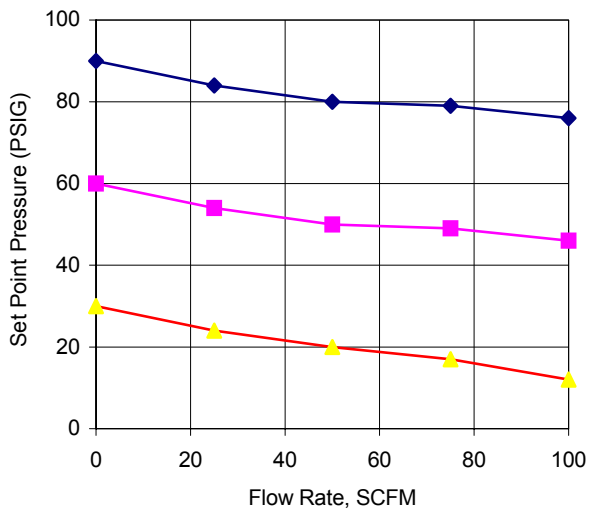
AR1000 Series Pressure Regulator
Flow Rate VS Set Point Pressure
Supply Pressure 100 PSI



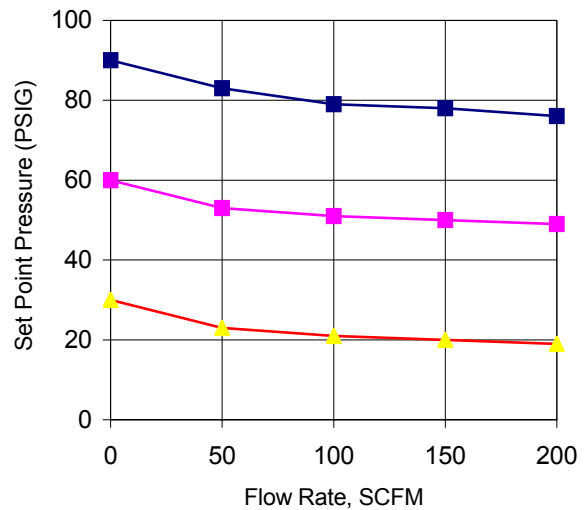
AR2000 Series Pressure Regulator
Flow Rate VS Set Point Pressure
Supply Pressure 100 PSI



AR3000 Series Pressure Regulator
Flow Rate VS Set Point Pressure
Supply Pressure 100 PSI



AR4000 Series Pressure Regulator
Flow Rate VS Set Point Pressure
Supply Pressure 100 PSI

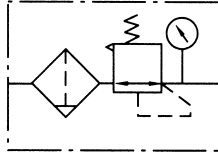


A Series Filter Regulator Flow Charts

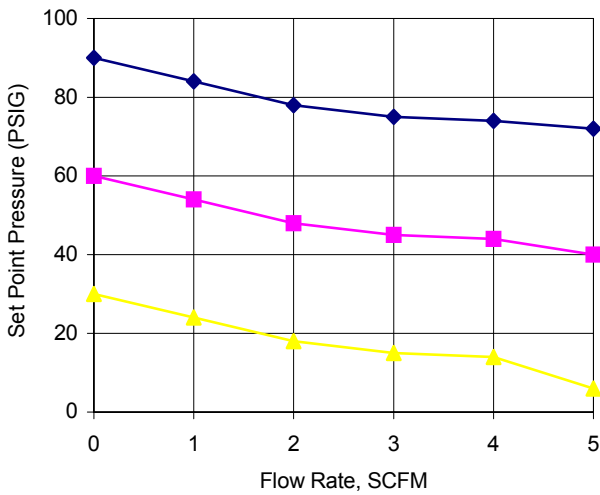


Filter Regulator Selection:

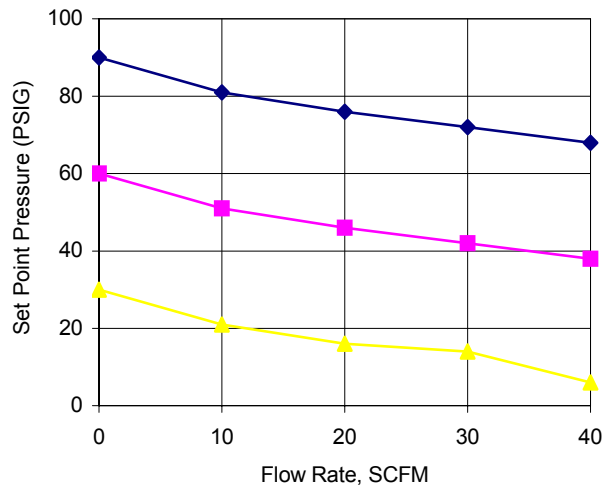
1. Determine flow rate requirements.
2. Determine required set point pressure and allowable pressure drop.
3. Locate the FRL graph with set point pressure that provides the flow rate with acceptable pressure drop.



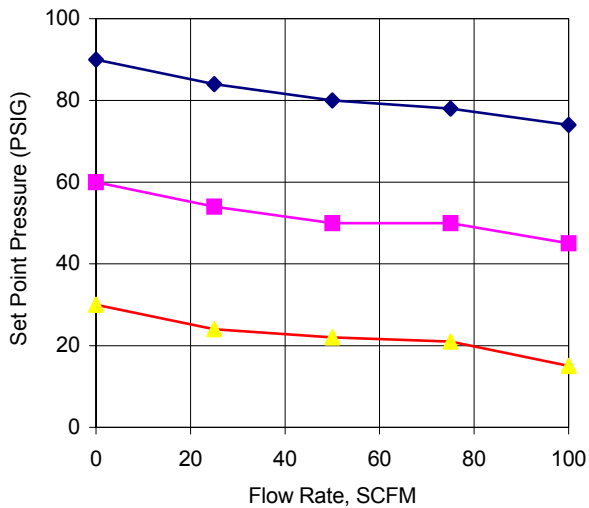
A W1000 Series Filter Regulator
Flow Rate VS Set Point Pressure
Supply Pressure 100 PSI



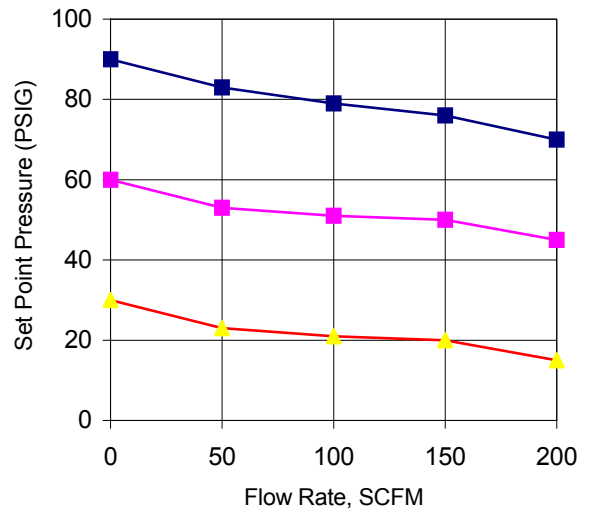
AW2000 Series Filter Regulator
Flow Rate VS Set Point Pressure
Supply Pressure 100 PSI



AW3000 Series Filter Regulator
Flow Rate VS Set Point Pressure
Supply Pressure 100 PSI



AW4000 Series Filter Regulator
Flow Rate VS Set Point Pressure
Supply Pressure 100 PSI

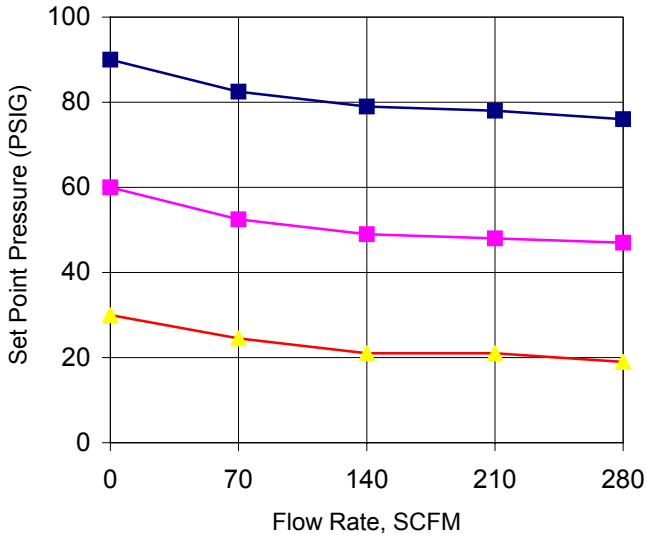


A Series Filter Regulator Lubricator Flow Charts

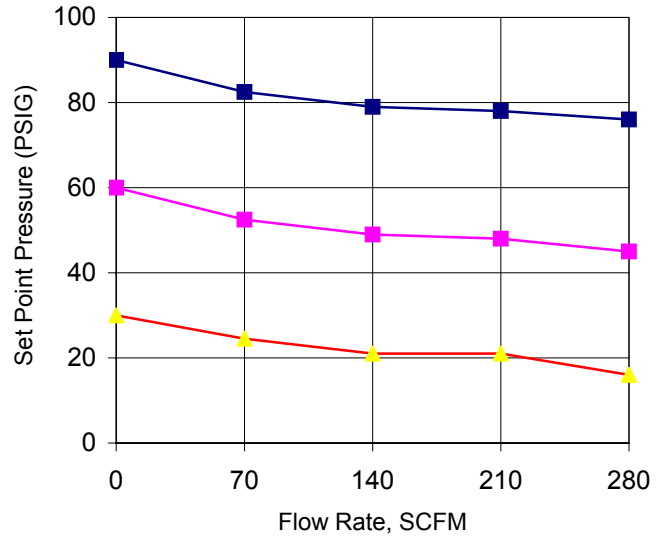
Filter Regulator Lubricator Selection:

1. Determine flow rate requirements.
2. Determine required set point pressure and allowable pressure drop.
3. Locate the FRL graph with set point pressure that provides the flow rate with acceptable pressure drop.

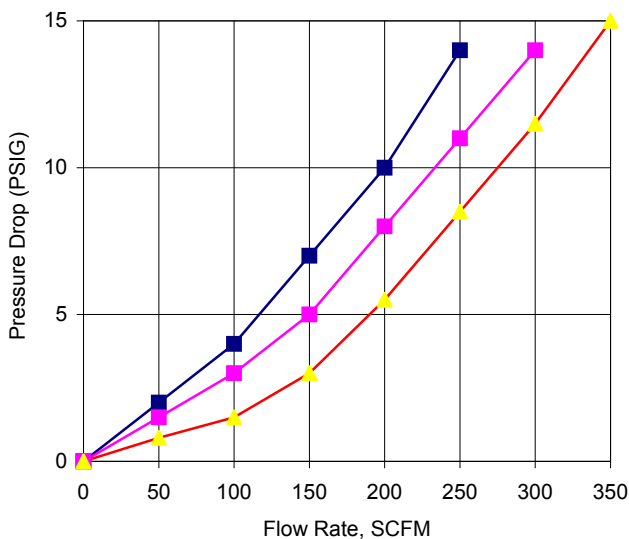
AC5000 Series Filter Regulator Lubricator
Flow Rate VS Set Point Pressure
Supply Pressure 100 PSI



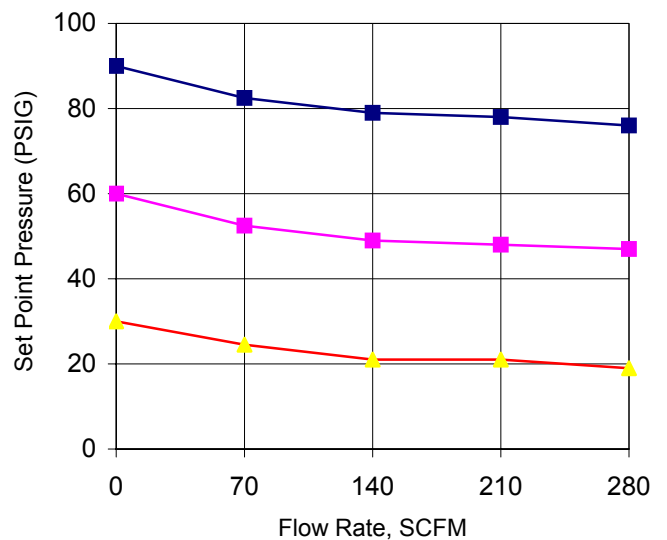
AW5000 Series Filter Regulator
Flow Rate VS Set Point Pressure
Supply Pressure 100 PSI



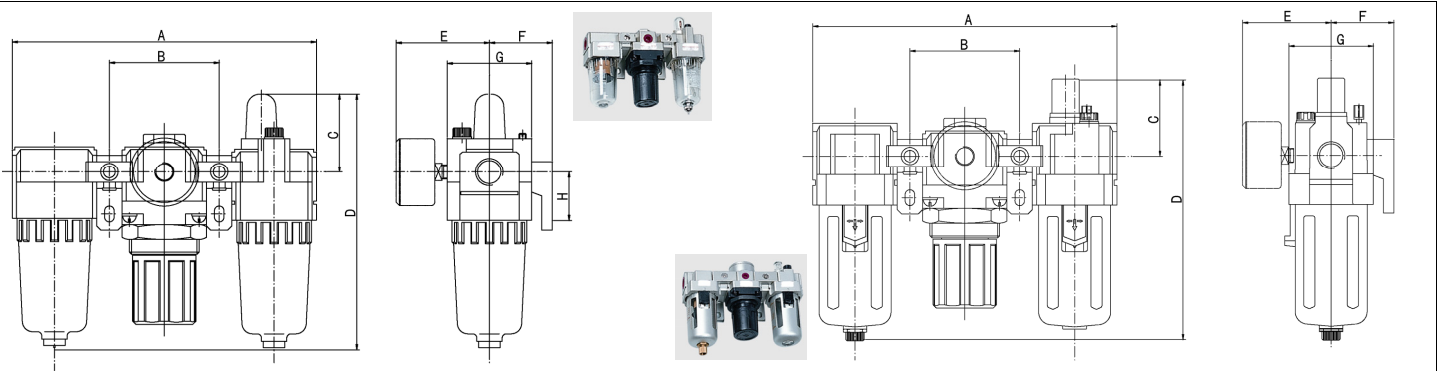
AF5000 Series Filter
Flow Rate VS Pressure Drop
@ 30, 60, 90 PSI Supply Pressure



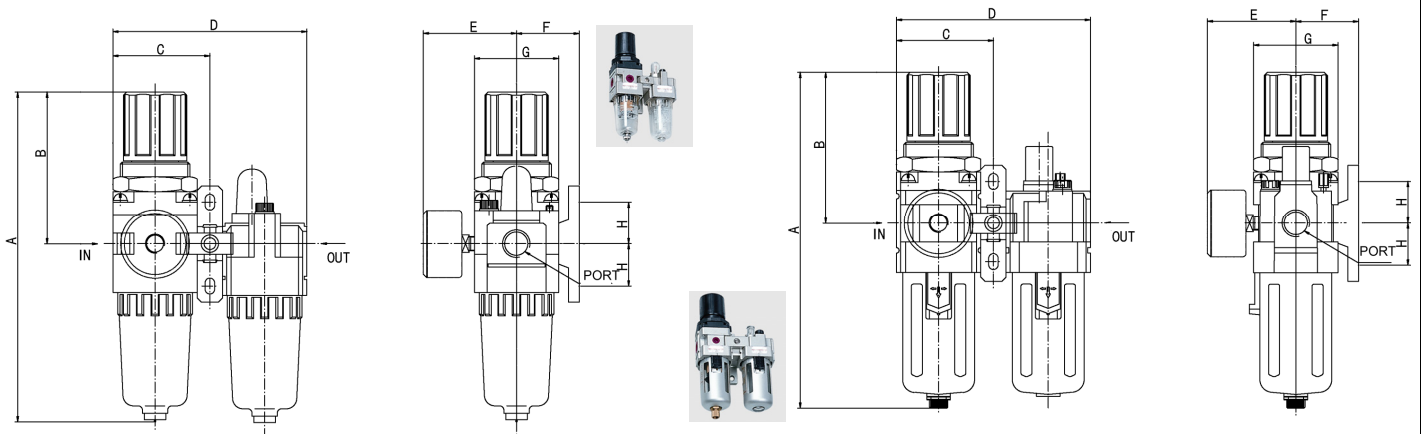
AR5000 Series Pressure Regulator
Flow Rate VS Set Point Pressure
Supply Pressure 100 PSI



A Series Filter Regulator Lubricator Dimensions

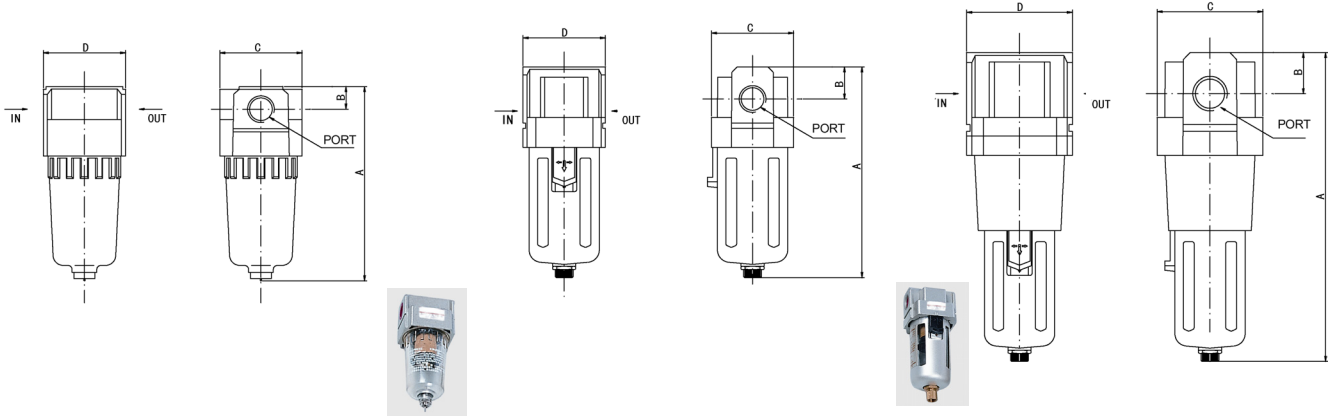


Model	Flow Rate (lpm/scfm)	Port	Gauge Port	A (mm/in)	B (mm/in)	C (mm/in)	D (mm/in)	E (mm/in)	F (mm/in)	G (mm/in)	H (mm/in)	Bracket	Weight (kg/lb)	Gauge
AC1000-00	90	10-32 (M5)	1/16 Rc	91	33	25.5	84.5	26	25	25	20	Y10L	0.26	GE-1-160-00
	3			3.58	1.30	1.00	3.33	1.02	0.98	0.98	0.79		0.57	
AC2000-01	500	1/8 NPT	1/8 NPT	140	50	38	125	56.8	30	40	24	Y20L	0.74	GE-1 1/2-160-01
AC2000-02	18	1/4 NPT		5.51	1.97	1.50	4.92	2.24	1.18	1.57	0.94		1.63	
AC3000-02	2000	1/4 NPT	1/8 NPT	181	64	38	156.5	60.8	41	53	35	Y30L	1.18	GE-1 1/2-160-01
AC3000-03	70	3/8 NPT		7.13	2.52	1.50	6.16	2.39	1.61	2.09	1.38		2.60	
AC4000-03	4000	3/8 NPT	1/4 NPT	238	84	41	191.5	65.5	50	70	40	Y40L	2.14	GE-2-160-02
AC4000-04	140	1/2 NPT		9.37	3.31	1.61	7.54	2.58	1.97	2.76	1.57		4.71	
AC4000-06	4500	3/4 NPT	1/4 NPT	253	89	41	193	69.5	50	70	40	Y50L	2.47	GE-2-160-02
	160			9.96	3.50	1.61	7.60	2.74	1.97	2.76	1.57		5.43	
AC5000-06	5000	3/4 NPT	1/4 NPT	300	105	48	271.5	75.5	69.8	90	50	Y60L	3.82	GE-2-160-02
AC5000-10	180	1 NPT		11.81	4.13	1.89	10.69	2.97	2.75	3.54	1.97		8.40	

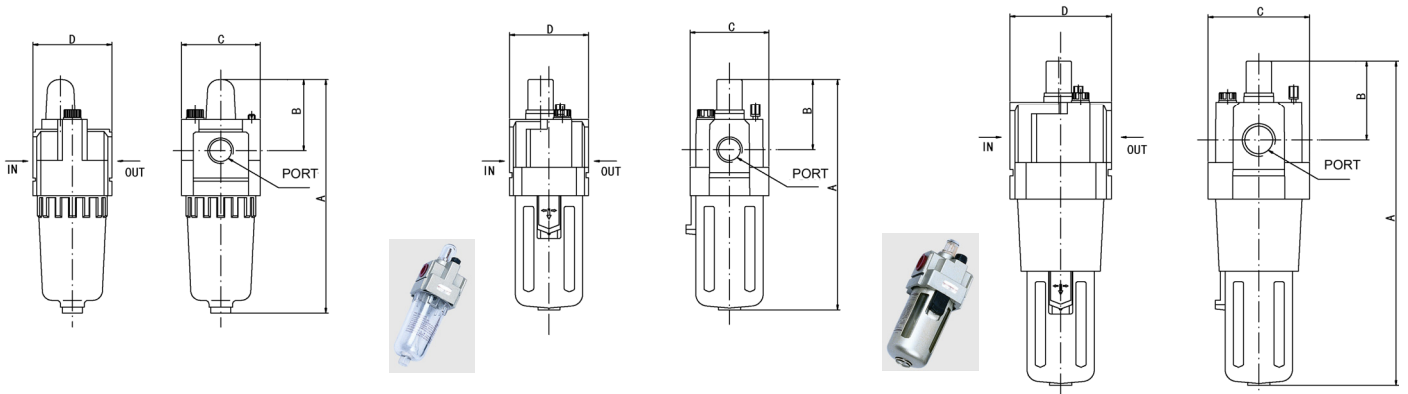


Model	Flow Rate (lpm/scfm)	Port	Gauge Port	A (mm/in)	B (mm/in)	C (mm/in)	D (mm/in)	E (mm/in)	F (mm/in)	G (mm/in)	H (mm/in)	Bracket	Weight (kg/lb)	Gauge
AC1010-00	90	10-32 (M5)	1/16 Rc	109.5	50.5	29	58	26	25	25	20	Y10T	0.22	GE-1-160-00
	3			4.31	1.99	1.14	2.28	1.02	0.98	0.98	0.79		0.48	
AC2010-01	500	1/8 NPT	1/8 NPT	164.5	78	45	90	56.8	30	40	24	Y20T	0.66	GE-1 1/2-160-01
AC2010-02	18	1/4 NPT		6.48	3.07	1.77	3.54	2.24	1.18	1.57	0.94		1.45	
AC3010-02	1700	1/4 NPT	1/8 NPT	211	92.5	58.5	117	60.8	41	53	35	Y30T	0.98	GE-1 1/2-160-01
AC3010-03	60	3/8 NPT		8.31	3.64	2.30	4.61	2.39	1.61	2.09	1.38		2.16	
AC4010-03	3000	3/8 NPT	1/4 NPT	262	112	77	154	65.5	50	70	40	Y40T	1.93	GE-2-160-02
AC4010-04	105	1/2 NPT		10.31	4.41	3.03	6.06	2.58	1.97	2.76	1.57		4.25	
AC4010-06	3000	3/4 NPT	1/4 NPT	267	114	82	164	69.5	50	70	40	Y50T	1.99	GE-2-160-02
	105			10.51	4.49	3.23	6.46	2.74	1.97	2.76	1.57		4.38	
AC5010-06	4000	3/4 NPT	1/4 NPT	338	116	97.5	195	75.5	69.8	90	50	Y60T	3.2	GE-2-160-02
AC5010-10	140	1 NPT		13.31	4.57	3.84	7.68	2.97	2.75	3.54	1.97		7.04	

A Series Filter Regulator Lubricator Dimensions

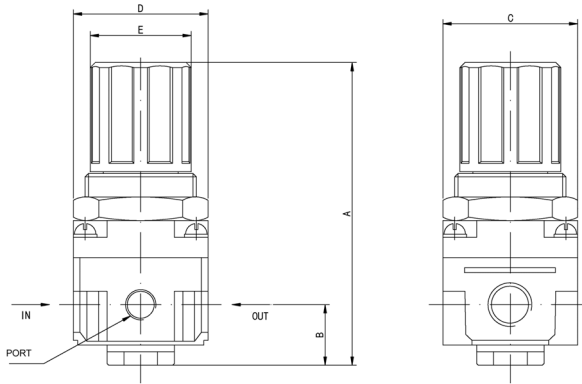


Model	Flow Rate (lpm/scfm)	Port	A (mm/in)	B (mm/in)	C (mm/in)	D (mm/in)	Bracket/Screw	Weight (kg/lb)
AF1000-00	110	10-32 (M5)	66	7	25		B140	0.07
	4		2.60	0.28	0.98	0.00		0.15
AF2000-01	750	1/8 NPT	97.5	11	40	40	B240/M4x8	0.19
AF2000-02	26	1/4 NPT	3.84	0.43	1.57	1.57		0.42
AF3000-02	2000	1/4 NPT	132.5	14	53	53	B340/M4x8	0.29
AF3000-03	70	3/8 NPT	5.22	0.55	2.09	2.09		0.64
AF4000-03	4000	3/8 NPT	168.5	18	70	70	B440/M5x10	0.55
AF4000-04	140	1/2 NPT	6.63	0.71	2.76	2.76		1.21
AF4000-06	6000	3/4 NPT	172.5	20	70	70	B540/M5x10	0.58
	210		6.79	0.79	2.76	2.76		1.28
AF5000-06	7000	3/4 NPT	247.5	24	90	90	B640/M6x10	1.08
AF5000-10	245	1 NPT	9.74	0.94	3.54	3.54		2.38

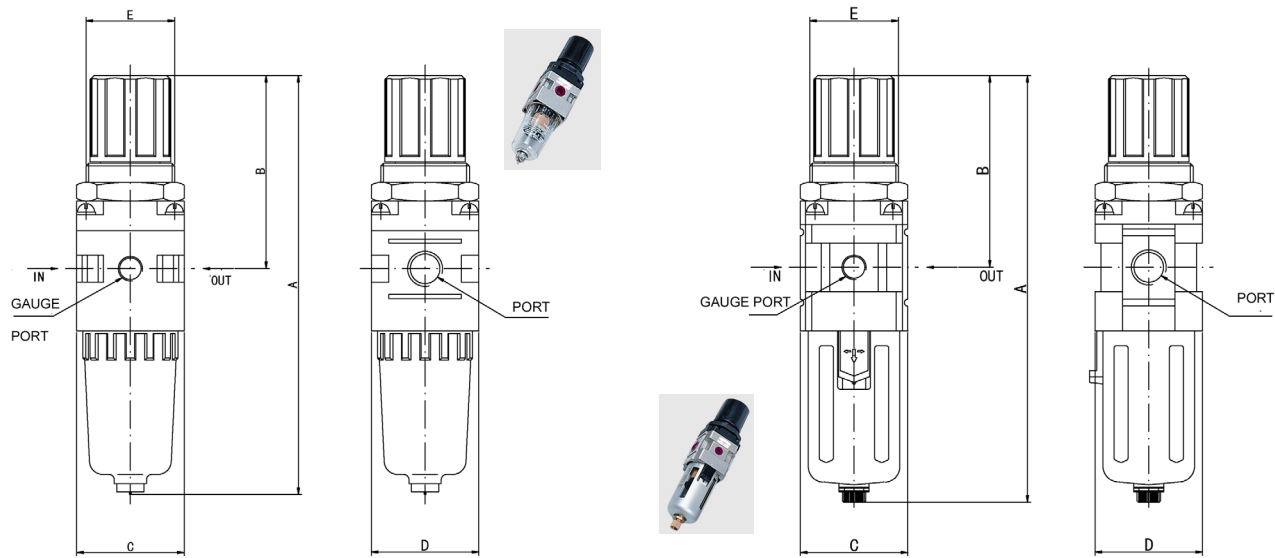


Model	Flow Rate (lpm/scfm)	Port	A (mm/in)	B (mm/in)	C (mm/in)	D (mm/in)	Bracket/Screw	Weight (kg/lb)
AL1000-00	95	10-32 (M5)	81.5	25.5	25		B140	0.07
	3		3.21	1.00	0.98			0.15
AL2000-01	800	1/8 NPT	122	38	40	40	B240/M4x8	0.22
AL2000-02	28	1/4 NPT	4.80	1.50	1.57	1.57		0.48
AL3000-02	1700	1/4 NPT	142	38	53	53	B340/M4x8	0.3
AL3000-03	60	3/8 NPT	5.59	1.50	2.09	2.09		0.66
AL4000-03	5000	3/8 NPT	177	41	70	70	B440/M5x10	0.56
AL4000-04	180	1/2 NPT	6.97	1.61	2.76	2.76		1.23
AL4000-06	6300	3/4 NPT	177	39	70	70	B540/M5x10	0.58
	220		6.97	1.54	2.76	2.76		1.28
AL5000-06	7000	3/4 NPT	254	45	90	90	B640/M6x10	1.08
AL5000-10	245	1 NPT	10.00	1.77	3.54	3.54		2.38

A Series Filter Regulator Lubricator Dimensions

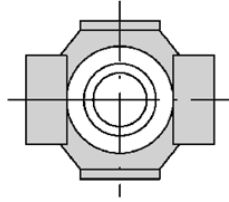
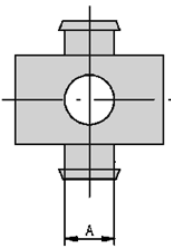


Model	Flow Rate (lpm/scfm)	Port	Gauge Port	A (mm/in)	B (mm/in)	C (mm/in)	D (mm/in)	E (mm/in)	Panel Cut Hole (mm/in)	Bracket	Weight (kg/lb)	Gauge
AR1000-00	100	10-32 (M5)	1/16 Rc	61.5	11	25	25	28	20.5	B120	0.08	GE-1-160-00
	4			2.42	0.43	0.98	0.98	1.10	0.81		0.18	
AR2000-01	550	1/8 NPT	1/8 NPT	95	17	40	40	34	33.5	B220	0.27	GE-1 1/2-160-01
AR2000-02	19	1/4 NPT		3.74	0.67	1.57	1.57	1.34	1.32		0.59	
AR2500-02	2000	1/4 NPT		102.5	25	48	53	34	33.5			
AR2500-03	70	3/8 NPT		4.04	0.98	18.9	2.09	1.34	1.32			
AR3000-02	2500	1/4 NPT	1/8 NPT	127.5	35	53	53	40	42.5	B320	0.41	GE-1 1/2-160-01
AR3000-03	88	3/8 NPT	5.02	1.38	2.09	2.09	1.57	1.67	0.90			
AR4000-03	6000	3/8 NPT	1/4 NPT	149.5	37.5	70	70	54	52.5	B420	0.84	GE-2-160-02
AR4000-04	210	1/2 NPT		5.89	1.48	2.76	2.76	2.13	2.07		1.85	
AR4000-06	6000	3/4 NPT	1/4 NPT	154	40.5	70	75	54	52.5	B420	0.84	GE-2-160-02
AR4000-04	210			6.06	1.59	2.76	2.95	2.13	2.07		1.85	
AR5000-06	8000	3/4 NPT	1/4 NPT	168	48	90	90	54	52.5	B420	1.19	GE-2-160-02
AR5000-10	280	1 NPT		6.61	1.89	3.54	3.54	2.13	2.07		2.62	

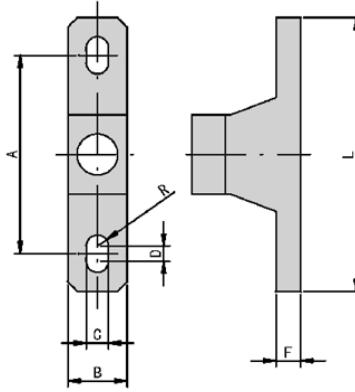


Model	Flow Rate (lpm/scfm)	Port	Gauge Port	A (mm/in)	B (mm/in)	C (mm/in)	D (mm/in)	E (mm/in)	Panel Cut Hole (mm/in)	Bracket	Weight (kg/lb)	Gauge
AW1000-00	90	10-32 (M5)	1/16 Rc	109.5	50.5	25	28	28	20.5	B120	0.09	GE-1-160-00
	3			4.31	1.99	0.98	1.10	1.10	0.81		0.20	
AW2000-01	550	1/8 NPT	1/8 NPT	164.5	78	40	40	34	33.5	B220	0.36	GE-1 1/2-160-01
AW2000-02	19	1/4 NPT		6.48	3.07	1.57	1.57	1.34	1.32		0.79	
AW3000-02	2000	1/4 NPT	1/8 NPT	211	92.5	53	53	40	33.5	B320	0.56	GE-1 1/2-160-01
AW3000-03	70	3/8 NPT		8.31	3.64	2.09	2.09	1.57	1.32		1.23	
AW4000-03	4000	3/8 NPT	1/4 NPT	262	112	70	70	54	42.5	B420	1.15	GE-2-160-02
AW4000-04	140	1/2 NPT		10.31	4.41	2.76	2.76	2.13	1.67		2.53	
AW4000-06	4500	3/4 NPT	1/4 NPT	267	114	70	75	54	42.5	B520	1.21	GE-2-160-02
AW4000-06	160			10.51	4.49	2.76	2.95	2.13	1.67		2.66	
AW5000-06	5500	3/4 NPT	1/4 NPT	338	116	90	90	54	42.5	B620	1.7	GE-2-160-02
AW5000-10	195	1 NPT		13.31	4.57	3.54	3.54	2.13	1.67		3.74	

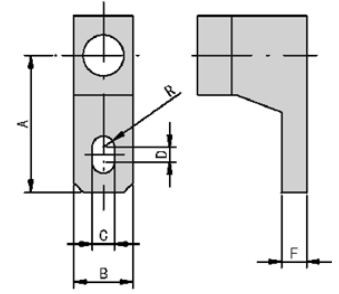
A Series Filter Regulator Lubricator Dimensions



Spacer

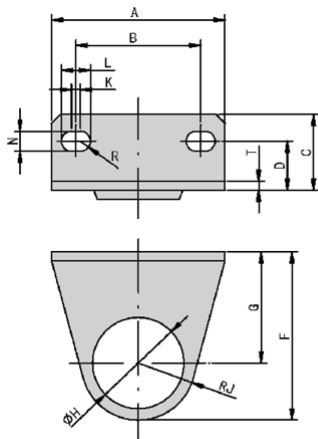


T Bracket

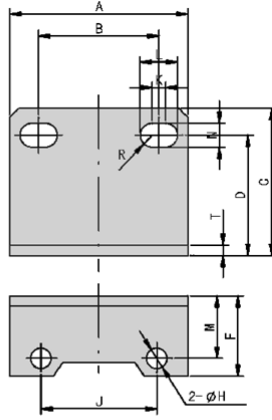


L Bracket

L BRACKET	L SPACER BRACKET	FOR	T BRACKET	T SPACER BRACKET	FOR	A	B	C	D	E	F	G	H	R	L
B110L	Y10L	AC1000	B110T	Y10T	AC1010	20	12	4.5	3	2.5	5	8	40	2.25	27
B210L	Y20L	AC2000	B210T	Y20T	AC2010	24	15	5.5	3	30	5	10	48	2.75	33
B310L	Y30L	AC3000	B310T	Y30T	AC3010	35	16	7	4	41	7	11	70	3.5	45
B410L	Y40L	AC4000	B410T	Y40T	AC4010	40	22	9	4	50	7	14	80	4.5	50
B510L	Y50L	AC4000-06	B510T	Y50T	AC4010-06	40	22	9	4	50	7	14	80	4.5	50
B610L	Y60L	AC5000	B610T	Y60T	AC5010	50	23	12	4	69.8	10.5	15	100	6	63

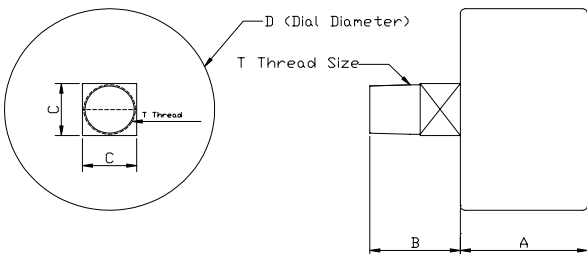


B#20 -Bracket for AR & AW



B#40 Bracket for AF/AL

in (MM)	A	B	C	D	F	G	H	J	K	L	M	N	R	t	MOUNTING SCREW	FOR
B120	40	28	17	11	37.8	25	20.5	12.3	2	6.5		4.5	2.25	2		AR/AW1000
B220	55	34	35	19	50	30	33.5	20	10	5.4		5.4	2.7	2.3		AR/AW2000-2500
B320	53	40	21.5	14	64	39	42.5	25	1.5	6.5		6.5	3.25	2.3		AR/AW3000
B420	70	54	27	18	79.2	49.2	52.5	30	2	8.5		8.5	4.25	2.3		AR/AW4000-5000
B240	40	27	33	27	18		4.5	26	3	8.4	14	5.4	2.7	2.3	M4X8	AF/AL2000
B340	53	40	39	32	22.5		4.5	35	1.5	8	19	6.5	3.25	2.3	M4X8	AF/AL3000
B440	70	54	47	38	31.5		5.5	47	2	10.5	20	8.5	4.25	2.3	M5X10	AF/AL4000-04
B540	70	54	47	38	31.5		5.5	47	2	10.5	20	8.5	4.25	2.3	M5X10	AF/AL4000-06
B640	90	66	64	52	43		6.5	60	2	13	29	11	5.5	3.2	M6X10	AF/AL5000



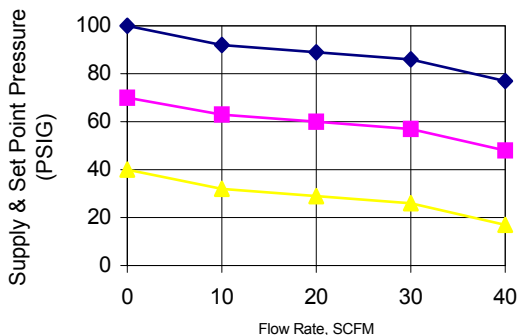
PRESSURE GAUGE PART NO.	For	(in /MM)				
		T Port Size	A	B	C	D
GE-1-160-00	AR1000	R1/16 (PT)	0.6/15.3	0.4/10	0.47/12	1.0/25.4
GE-1 1/2-160-01	AR2000-3000	1/8 NPT	0.93/25.8	0.67/17.0	0.43/11	1.6/42
GE-2-160-02	AR4000-5000	1/4 NPT	0.97/24.8	0.77/19.7	0.54/14	2.1/52.4

AB Series Filter Regulator Lubricator Flow Charts

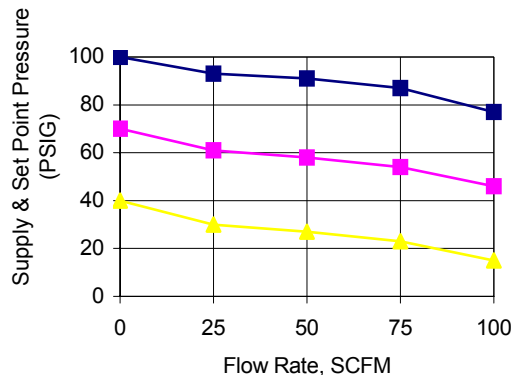
Filter Regulator Lubricator Selection:

1. Determine flow rate requirements.
2. Determine required set point pressure and allowable pressure drop.
3. Locate the FRL graph with set point pressure that provides the flow rate with acceptable pressure drop.

AR1000-2000 Series Pressure Regulator
Flow Rate VS Supply Pressure & Set Point



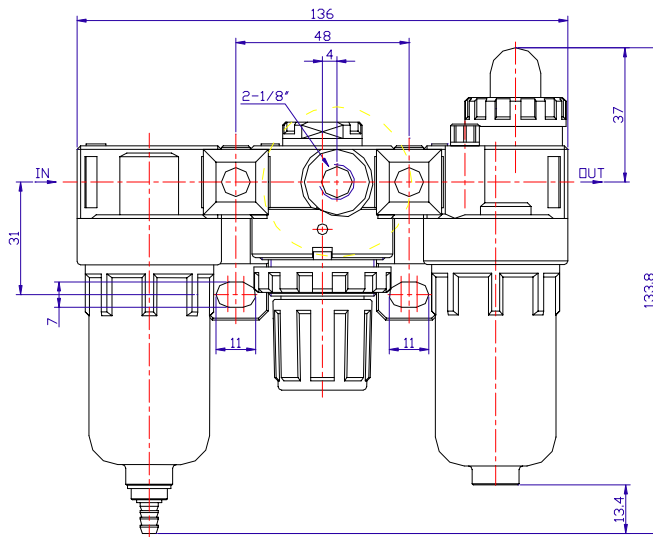
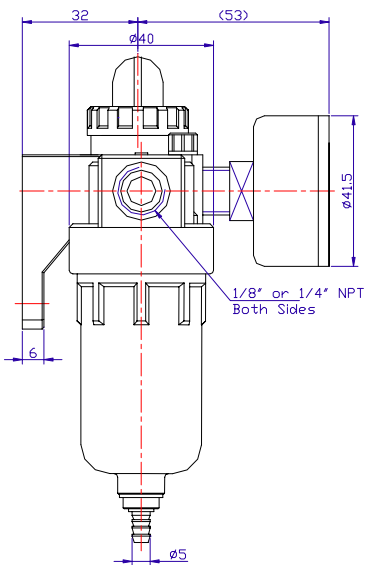
BR3000-4000 Series Pressure Regulator
Flow Rate VS Supply Pressure & Set Point



AB Series Filter Regulator Lubricator Dimensions

MODEL: AC1500 1/8"

MODEL: AC2000 1/4"

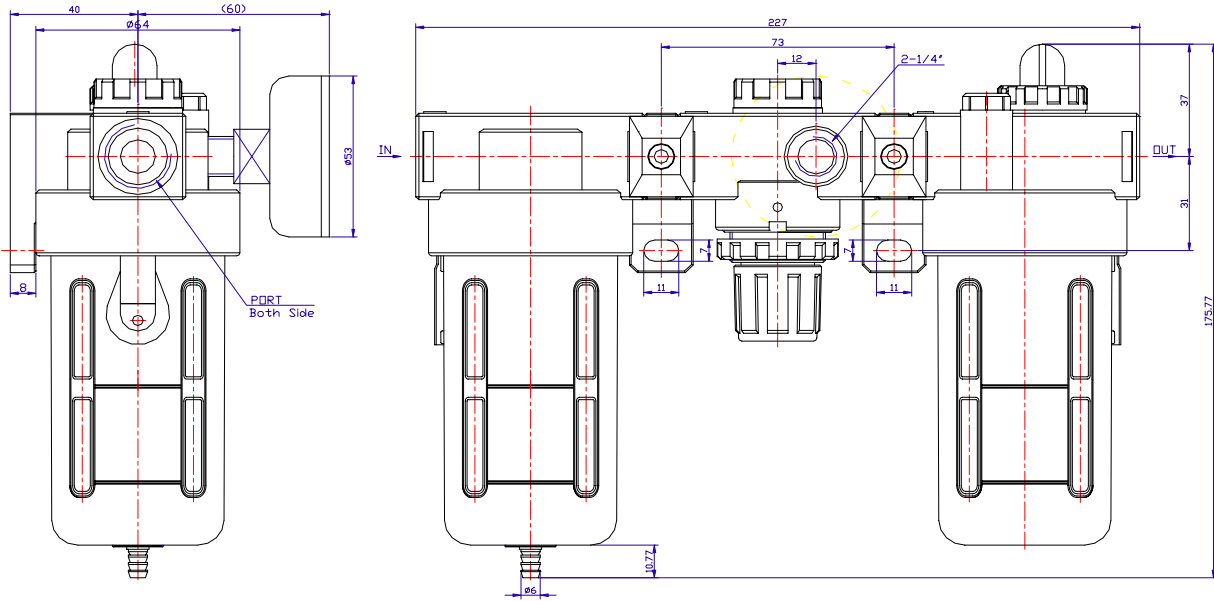


AB Series Filter Regulator Lubricator Dimensions



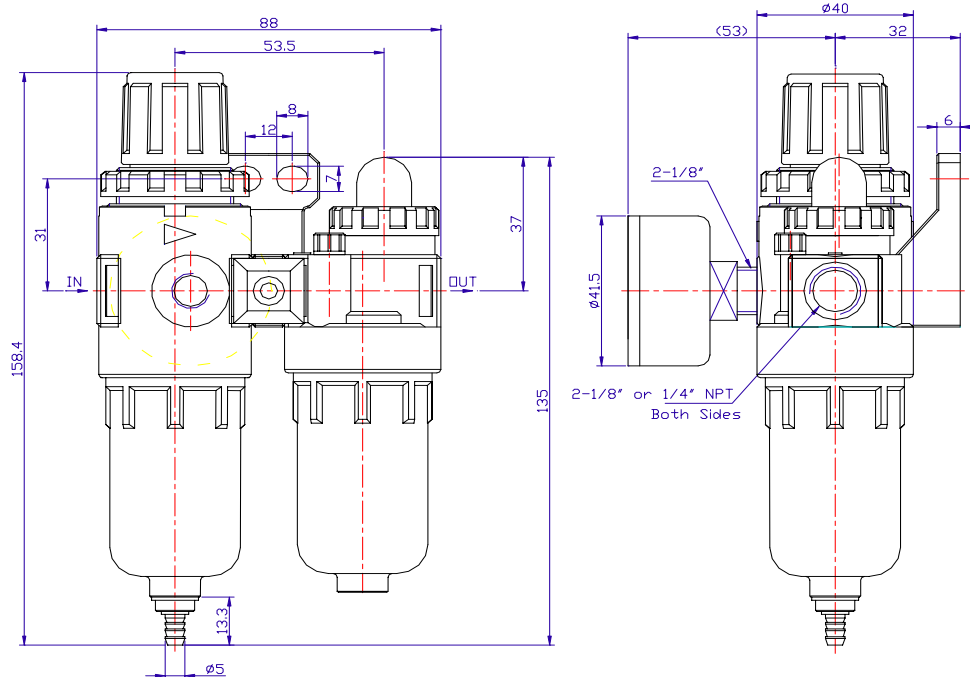
MODEL: BC2000-4000

INLET/OUTLET PORT SIZE:
 BC2000: 1/4" NPT
 BC3000: 3/8" NPT
 BC4000: 1/2" NPT



MODEL: AFC1500 1/8"

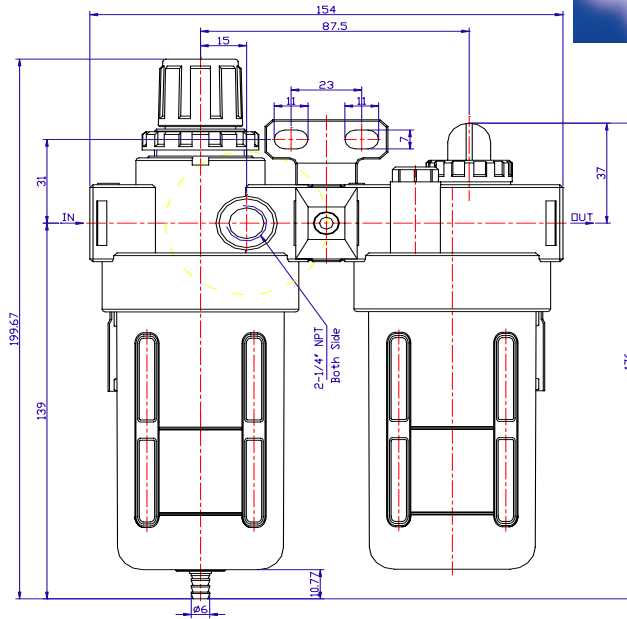
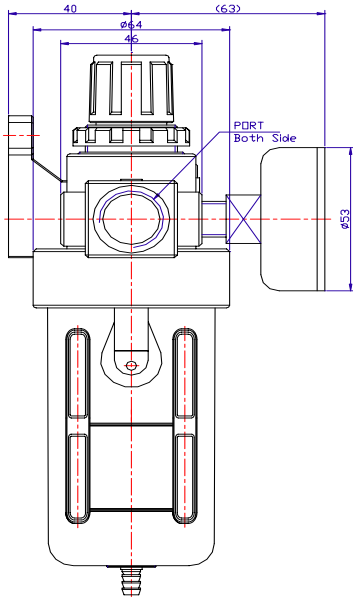
MODEL: AFC2000 1/4"



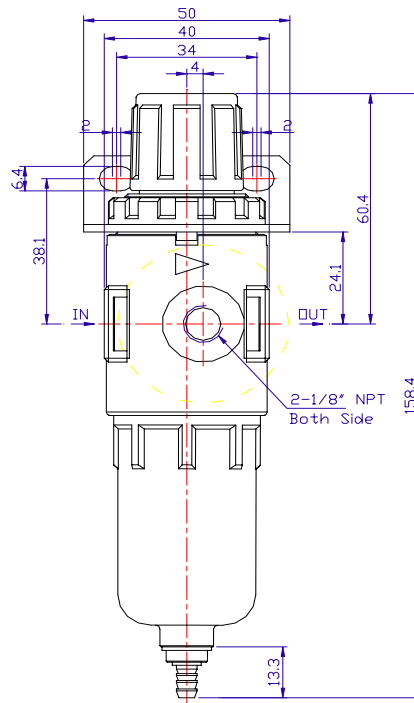
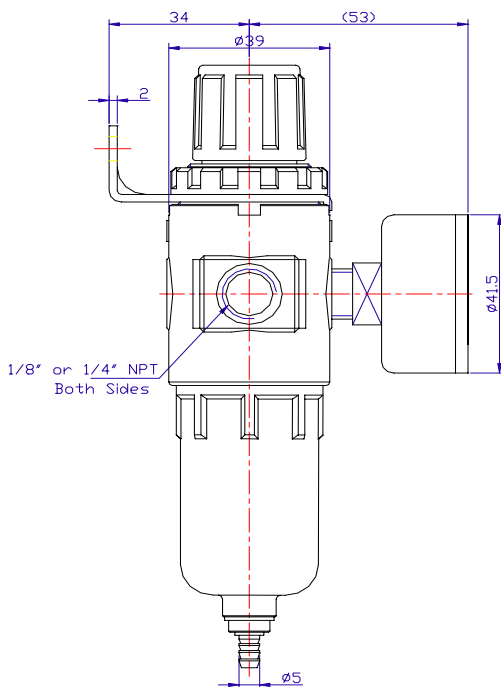
AB Series Filter Regulator Lubricator Dimensions

MODEL: BFC2000-4000

INLET/OUTLET PORT SIZE:
 BFC2000: 1/4" NPT
 BFC3000: 3/8" NPT
 BFC4000: 1/2" NPT



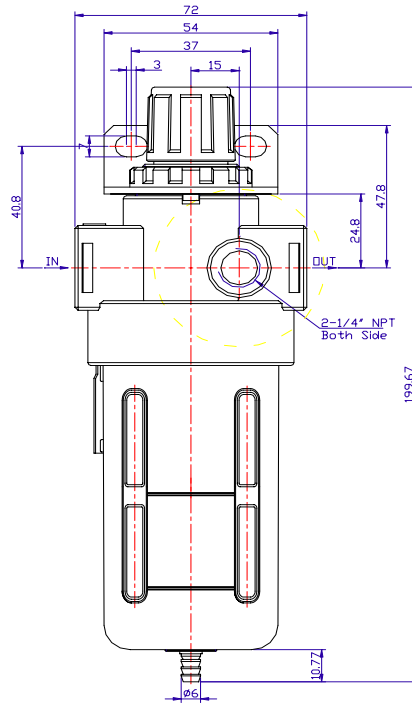
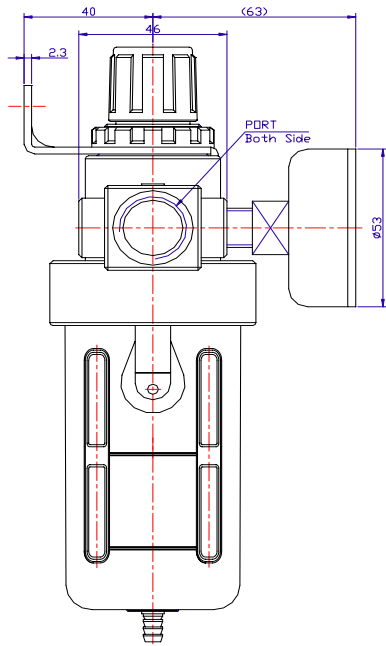
MODEL: AFR1500 1/8"
 MODEL: AFR2000 1/4"



AB Series Filter Regulator Lubricator Dimensions

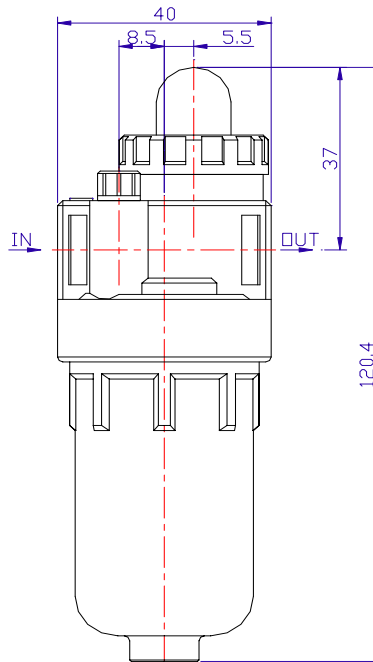
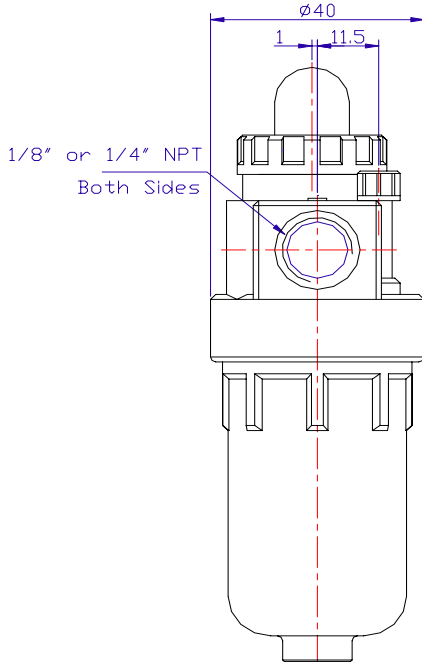
MODEL: BFR2000-4000

INLET/OUTLET PORT SIZE:
 BFR2000: 1/4" NPT
 BFR3000: 3/8" NPT
 BFR4000: 1/2" NPT



MODEL: AL1500 1/8"

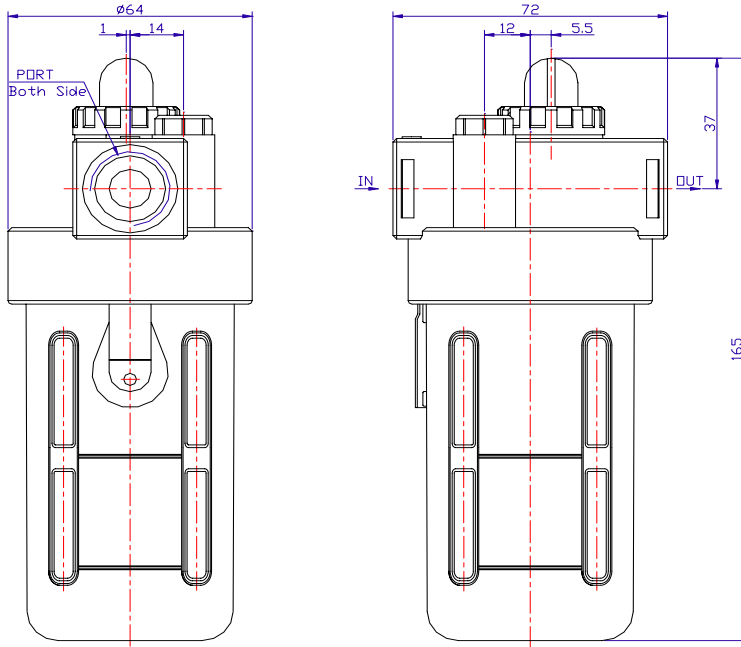
MODEL: AL2000 1/4"



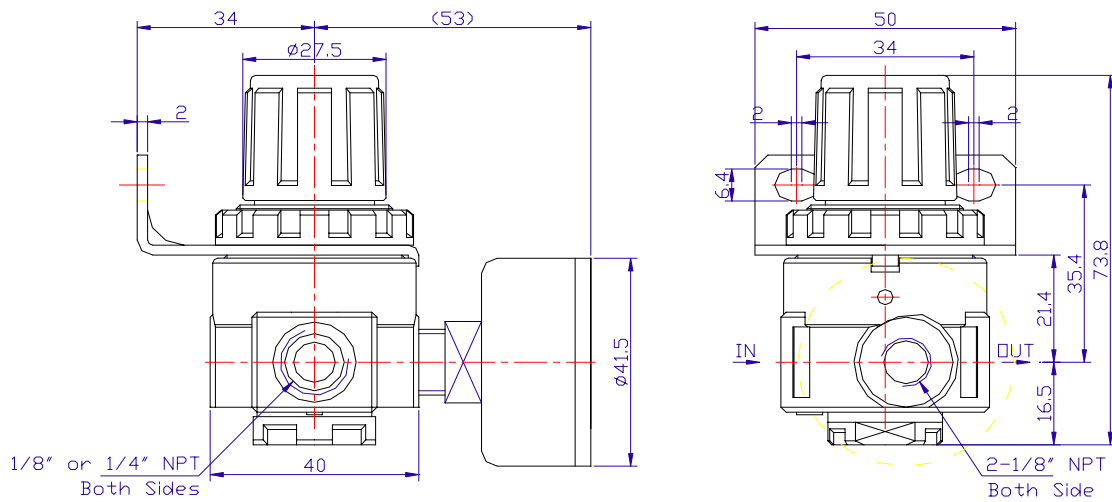
AB Series Filter Regulator Lubricator Dimensions

MODEL: BL2000-4000

INLET/OUTLET PORT SIZE:
 BL2000: 1/4" NPT
 BL3000: 3/8" NPT
 BL4000: 1/2" NPT



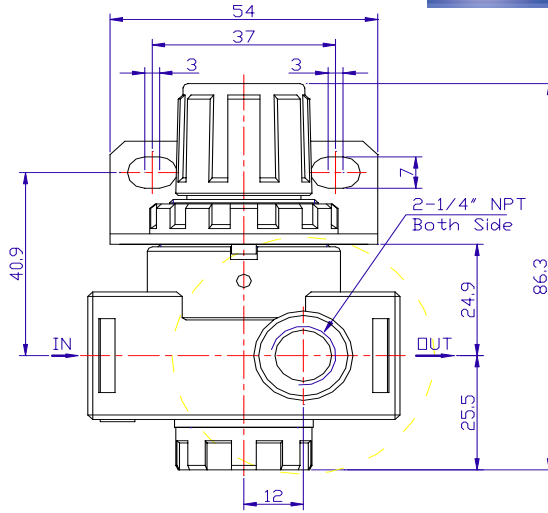
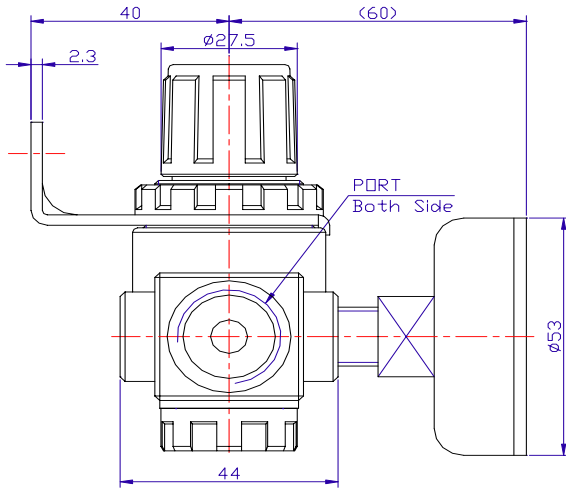
MODEL: AR1000 1/8 NPT; AR2000 1/4 NPT



AB Series Filter Regulator Lubricator Dimensions

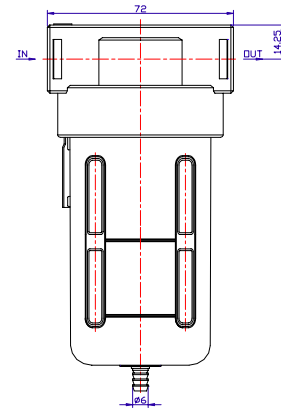
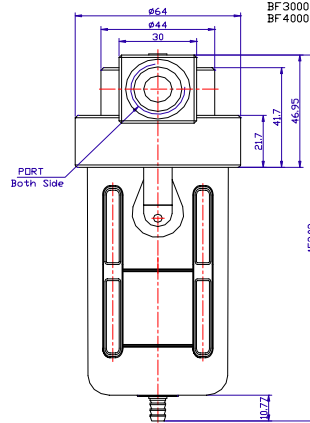
MODEL: BR2000-4000

INLET/OUTLET PORT SIZE:
 BR2000: 1/4" NPT
 BR3000: 3/8" NPT
 BR4000: 1/2" NPT

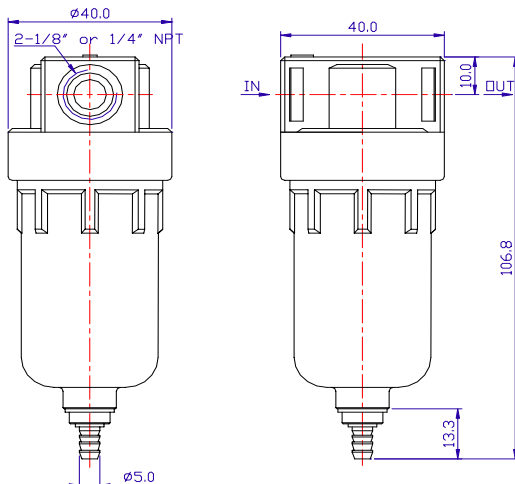


MODEL: BF2000-4000

INLET/OUTLET PORT SIZE:
 BF2000: 1/4" NPT
 BF3000: 3/8" NPT
 BF4000: 1/2" NPT











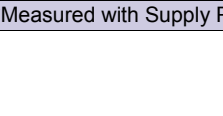


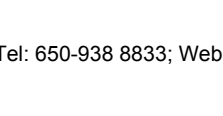
MODEL: AF1500 1/8"
MODEL: AF2000 1/4"





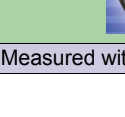


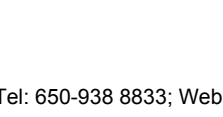



A & AB Series Filter Regulator Lubricator Specifications

These FRL components are of modular design with joiner clamps. The joiner clamps allow easy connection and disconnection of FRL components for simple installation and maintenance.

Interchangeable with SMC - NAC SERIES FRL

	Regulator-Filter-Lubricator	AC1000-00	AC2000-XX	AC3000-XX	AC4000-XX	AC4000-06	AC5000-XX
	Flow Rate* SCFM (LPM)	3 (90)	18 (500)	70 (2000)	140 (4000)	160 (4500)	180 (5000)
	Stacking Regulator-Filter-Lubricator	AC1010-00	AC2010-XX	AC3010-XX	AC4010-XX	AC4010-06	AC5010-XX
	Flow Rate* SCFM (LPM)	3 (90)	18 (500)	60 (1700)	105 (3000)	105 (3000)	140 (4000)
	Stacking Regulator-Filter	AW1000-00	AW2000-XX	AW3000-XX	AW4000-XX	AW4000-06	AW5000-XX
	Flow Rate* SCFM (LPM)	3 (90)	19 (550)	70 (2000)	140 (4000)	160 (4500)	195 (5500)
	Regulators	AR1000-00	AR2000-XX	AR3000-XX	AR4000-XX	AR4000-06	AR5000-XX
	Flow Rate* SCFM (LPM)	4 (100)	19 (550)	88 (2500)	210 (6000)	210 (6000)	280 (8000)
	Filters	AF1000-00	AF2000-XX	AF3000-XX	AF4000-XX	AF4000-06	AF5000-XX
	Flow Rate* SCFM (LPM)	4 (110)	26 (750)	70 (2000)	140 (4000)	210 (6000)	245 (7000)
	Lubricators	AL1000-00	AL2000-XX	AL3000-XX	AL4000-XX	AL4000-06	AL5000-XX
	Flow Rate* SCFM (LPM)	3 (90)	28 (800)	60 (1700)	180 (5000)	220 (6300)	245 (7000)
	Port Size	10-32 (M5)	1/8 or 1/4 NPT	1/4 or 3/8 NPT	3/8 or 1/2 NPT	3/4 NPT	3/4 or 1 NPT
	Port Size (Pressure Gauge)	1/16 Rc (PT)	1/8 NPT	1/8 NPT	1/4 NPT	1/4 NPT	1/4 NPT
	Regulating Range	7-100 PSI	7-125 PSI (0.5-8.5 kgf/cm ²)				
	Max. Operating Pressure	150 PSI (9.9 kgf/cm ²)					
	Operating Temperature	40-140°F (5-60°C)					
	Filtration	5 micron filter (standard); 25 Micron (Sintered Brass Filter)					
	Bowl Material	Polycarbonate (standard) or Aluminum Metal (Option)					
	Bowl Guard	N/A	Steel Bowl Guard				
	Body Material	Die-Casting Aluminum					
	Construction/Regulator	Relieving Type					
	Filter Drain	Semi-Auto Differential Drain			Semi-Auto Differential Drain (Standard) or Automatic Drain		

	Regulator-Filter-Lubricator	AC1500	AC2000	BC2000	BC3000	BC4000
	Flow Rate* SCFM (LPM)	16 (450)	16 (450)	60 (1700)	60 (1700)	60 (1700)
	Stacking Regulator-Filter-Lubricator	AFC1500	AFC2000	AFC3000	AFC4000	AFC4000
	Stacking Regulator-Filter	AFR1500	AFR2000	BFR2000	BFR3000	BFR4000
	Regulators	AR1500	AR2000	AR3000	AR4000	AR4000
	Filters	AF1500	AF2000	BF2000	BF3000	BF4000
	Lubricators	AL1500	AL2000	BL2000	BL3000	BL4000
	Port Size	1/8 NPT	1/8 NPT	1/4 NPT	3/8 NPT	1/2 NPT
	Port Size (Gauge)	1/8 NPT	1/8 NPT	1/4 NPT	1/4 NPT	1/4 NPT
	Regulating Range	7-125 PSI (0.5-8.5 kgf/cm ²)				
	Max. Operating Pressure	150 PSI (9.9 kgf/cm ²)				
	Operating Temperature	40-140°F (5-60°C)				
	Filtration	5 micron filter (standard); 25 Micron (Sintered Brass Filter)				
	Bowl Material	Polycarbonate (standard) or Aluminum Metal (Option)				
	Bowl Guard	N/A	Steel Bowl Guard			
	Body Material	Die-Casting Aluminum				
	Construction/Regulator	Relieving Type				
	Filter Drain	Semi-Auto Differential Drain				

*Measured with Supply Pressure @100 PSI and Set Point Pressure @ 75 PSI

LIMITED WARRANTY – IMPORTANT NOTICE TO PURCHASER

Sizto Tech Corporation (STC) warrants only this product is be free from defects in materials and workmanship at the time of manufacture. This limited warranty expires one year after delivery to the end-user. STC's entire obligation to and the exclusive remedy of any party for breach of this limited warranty shall be limited to replacement of the defective product or refund of the original purchase price of this product, at STC's option. Purchaser has thirty (30) days to return the goods after STC has agreed to accept the return. All freight charges on returned material shall be paid by the Purchaser. STC's limited warranty shall not apply, however, to the product that have been subjected to misuse, alteration, accident or negligence during handling or storage.

DISCLAIMER OF IMPLIED WARRANTIES

All implied warranties, which may arise by implication of law or application of course of dealing or usage of trade, including, but not limited to, implied warranties of merchantability or fitness for a particular purpose are expressly excluded. There are no warranties, which extend beyond the description of the faced hereof. The end user is solely responsible for the suitability and fitness of this product selected for a particular application.

Distributed By



Sizto Tech Corporation

2284 Old Middlefield Way, Suite 8
Mountain View, CA 94043 USA
Tel: 650-938 8833, Fax: 650-938 8844
Email: Sales@StcValve.com; www.StcValve.com